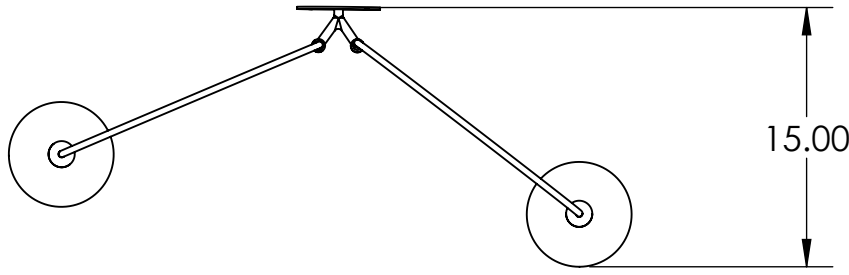


4

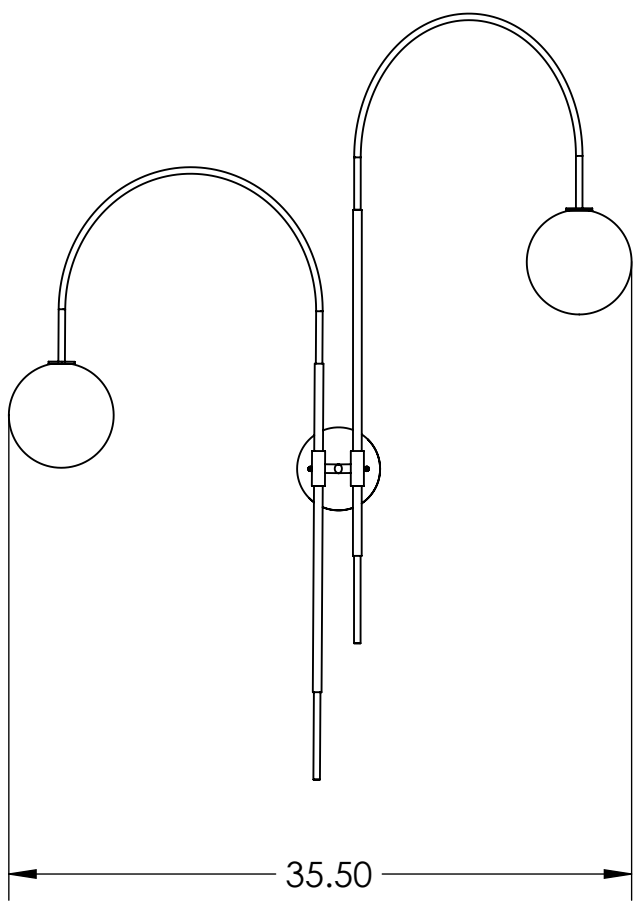
3

2

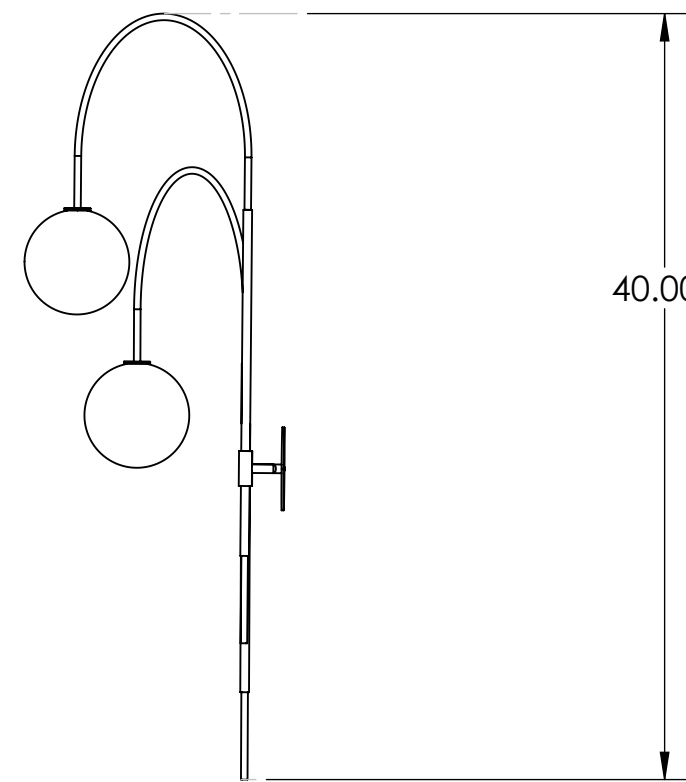
1



15.00



35.50



40.00

# Blueprint Lighting

ALL DIMENSIONS ARE IN INCHES				DESCRIPTION
				Double Arc
REV.	EST. MASS	SCALE	SIZE	FINISH
	—		B	TBD
<small>PROPRIETARY AND CONFIDENTIAL—THE INFORMATION CONTAINED IN THIS DRAWING IS THE SOLE PROPERTY OF BLUEPRINT LIGHTING. ANY REPRODUCTION IN PART OR AS A WHOLE WITHOUT THE WRITTEN PERMISSION OF BLUEPRINT LIGHTING IS PROHIBITED.</small>				

4

3

2

1

B

B

A

A