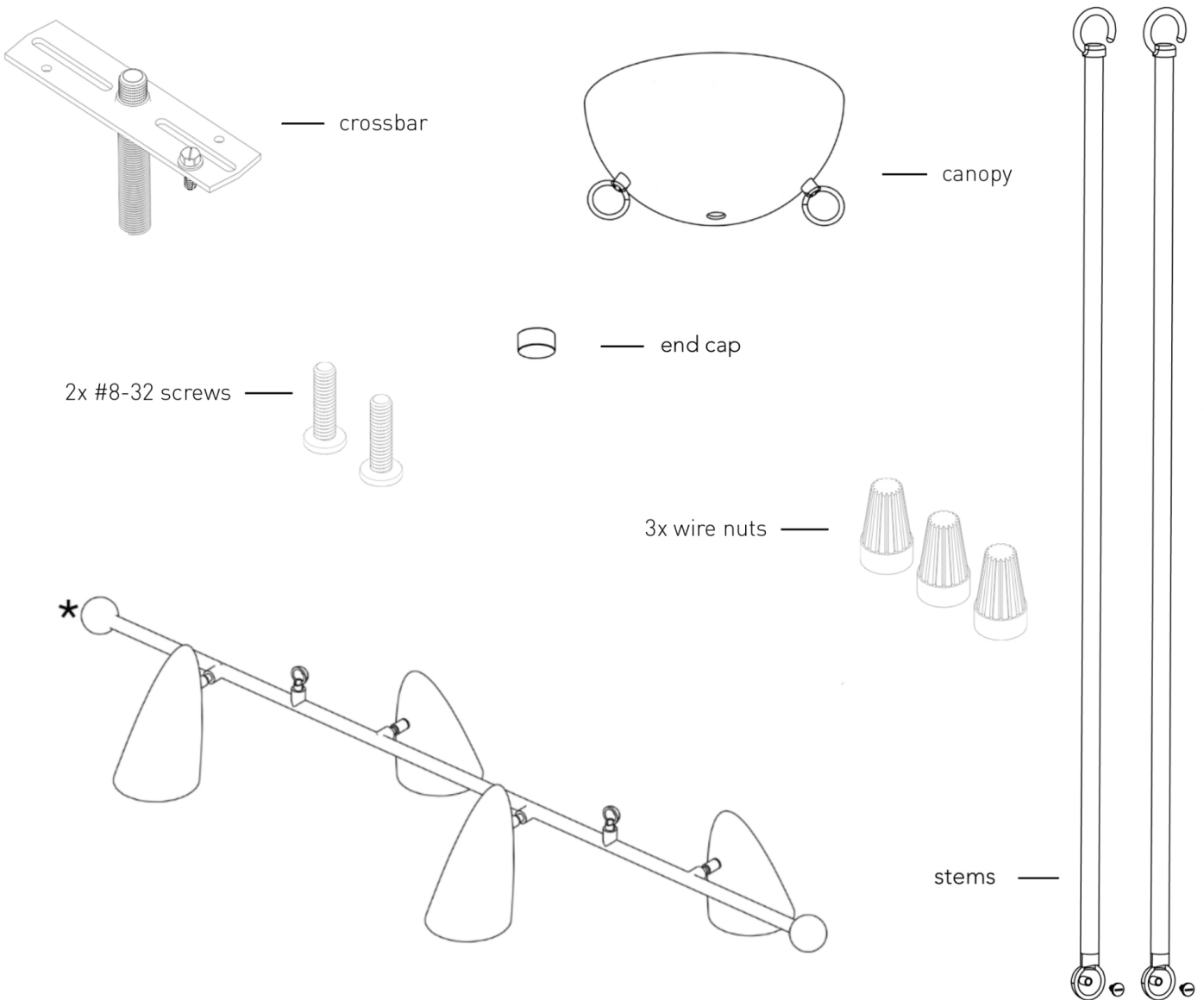
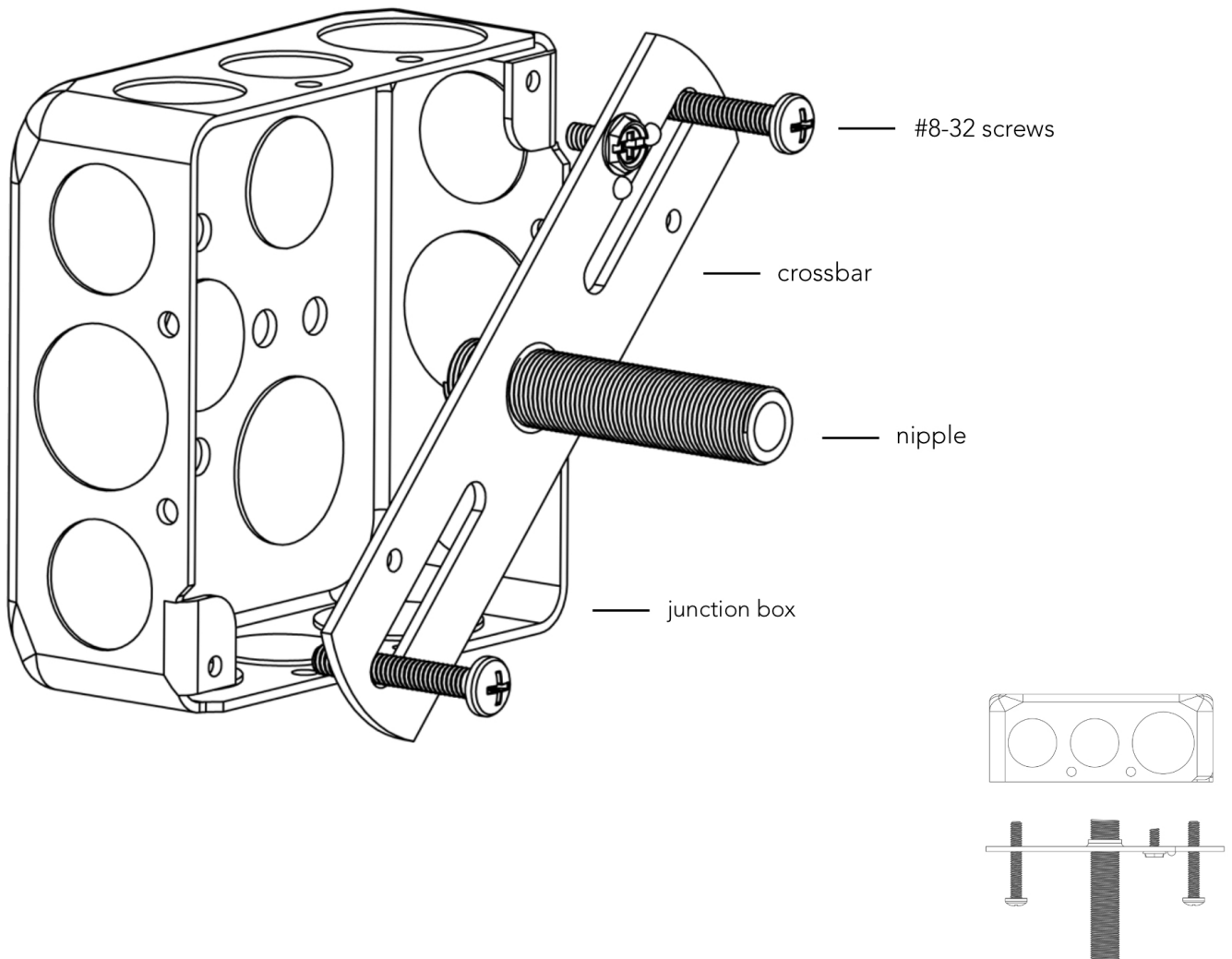


Standard Installation Instructions (Dome Canopy Ceiling Fixtures)

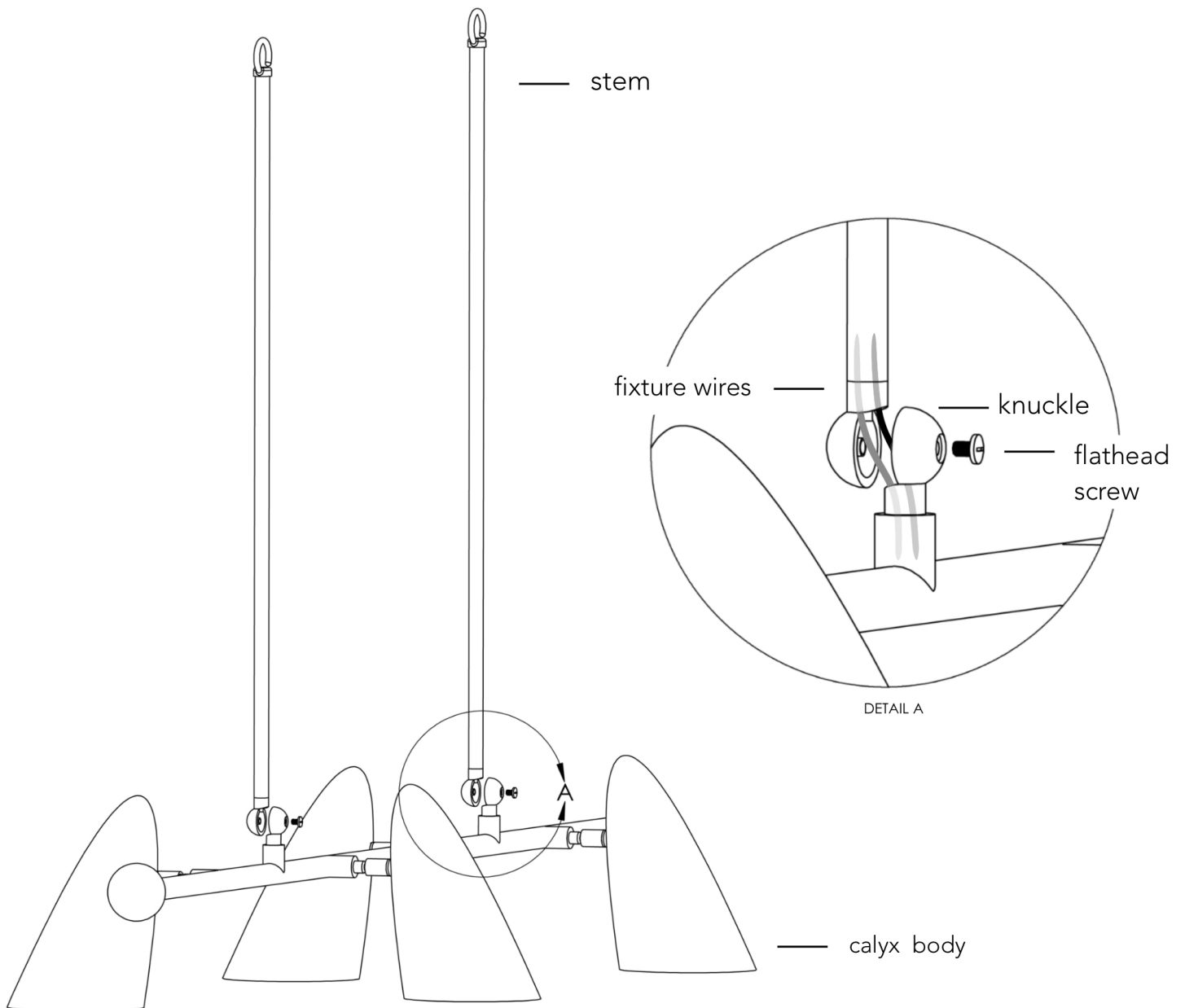


*Please note that the Calyx fixture is used here as an example only. Our Standard Installation Instructions can be used for multiple fixtures that share the same canopies. For a full list of such fixtures, please refer to the Installation Instructions page on our website.

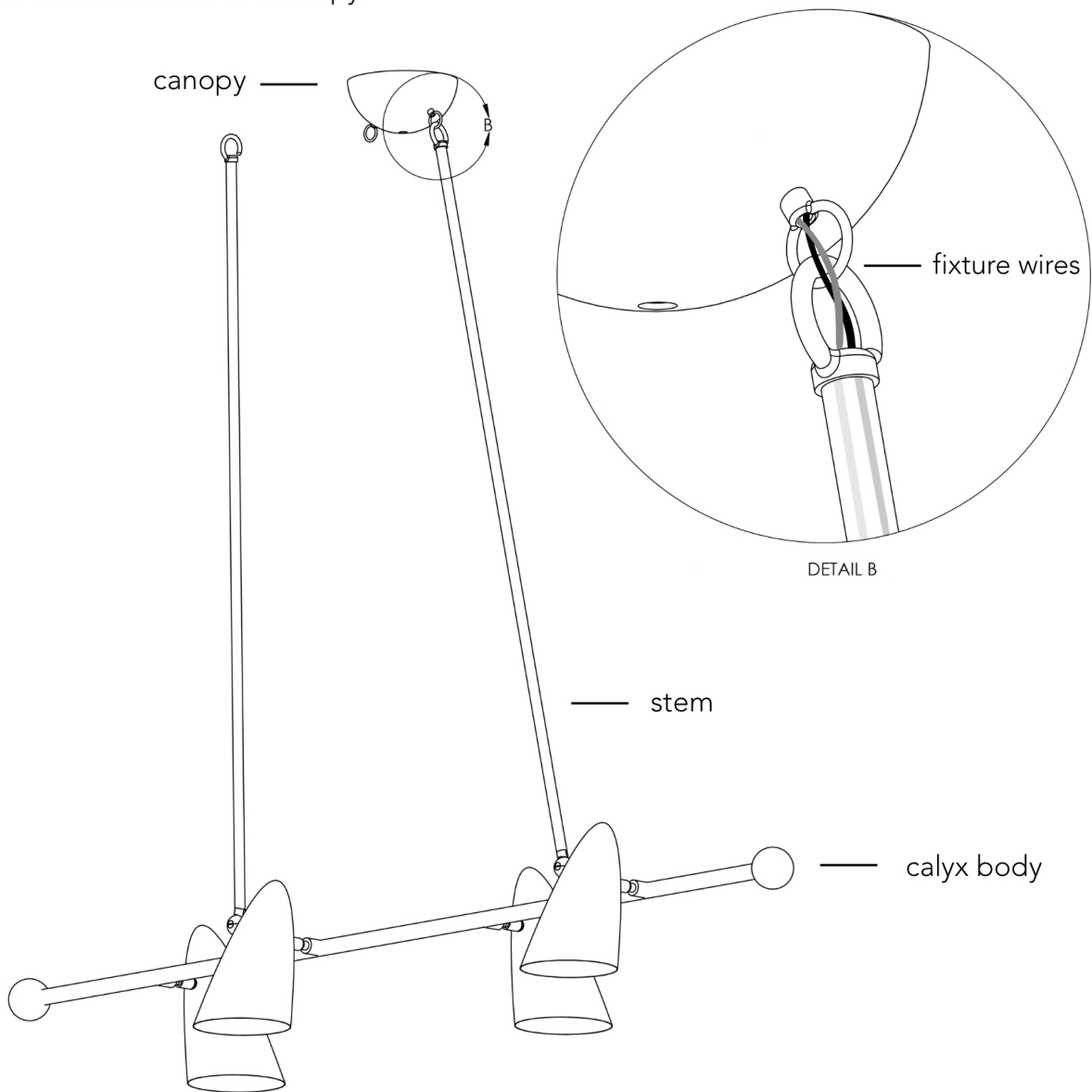
1. Mount the crossbar with the nipple attached to the junction box using the provided #8-32 screws.



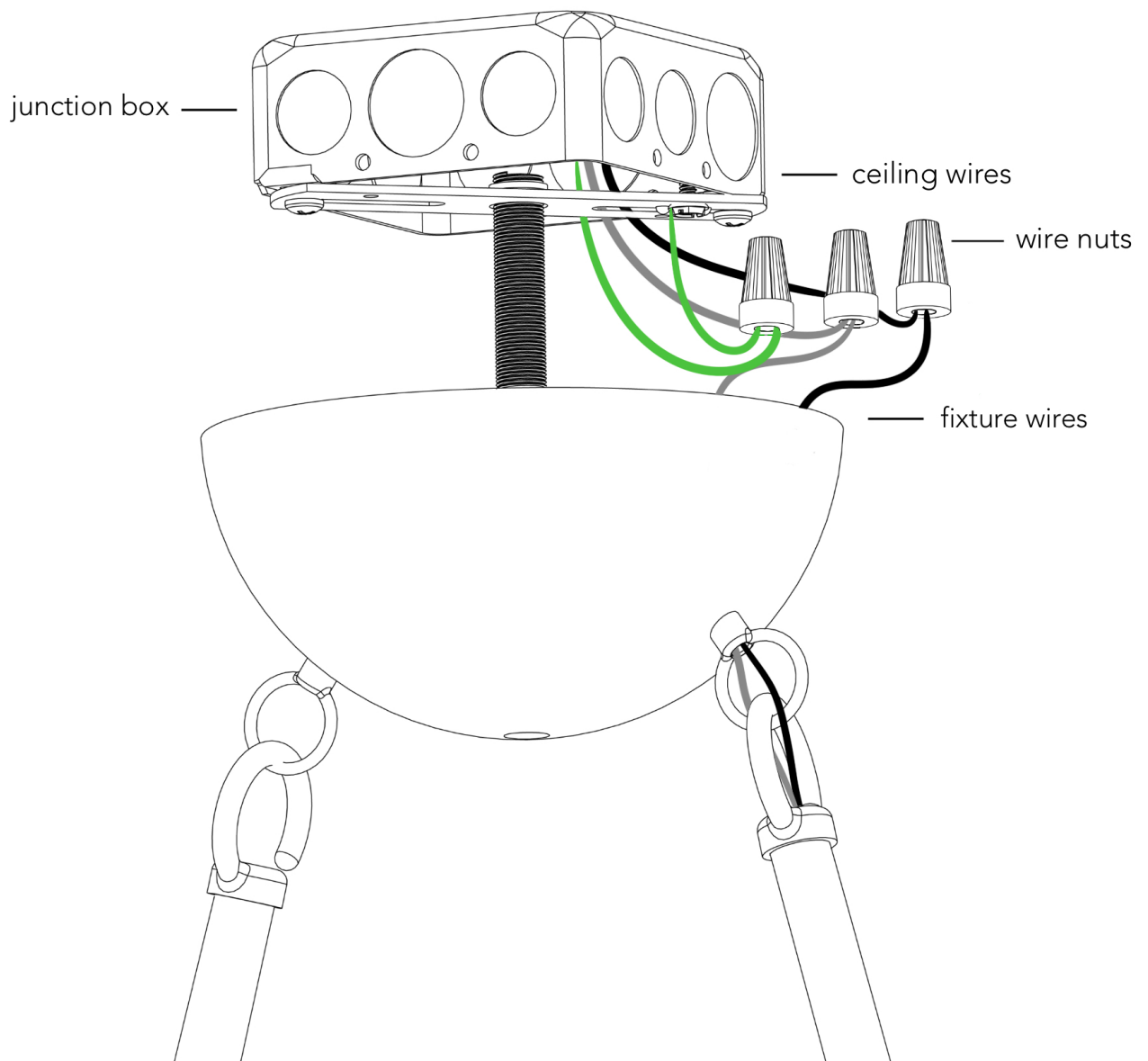
2. Connect the stems to the calyx body by screwing both halves of the knuckle together using the flat head screw provided.
3. Be sure to position wires around the screw when tightening so they do not get pinched.



4. Person 1 will hold the canopy while person 2 holds the calyx body.
5. Take the fixture wires that are coming out of the hook on the stem and thread them through the the hole in the loop on the canopy.
6. Hook both stems onto the canopy.



7. Person 1 lifts the fixture by the canopy up to the junction box.
8. Person 2 connects the fixture ground wire to the ceiling ground wire.
9. Person 2 connects the +/- fixture wires to the +/- ceiling wires.



10. Feed the nipple through the canopy until it is exposed at the bottom.

11. Attach the bottom cap to the nipple and tighten until it is flush with the canopy.

