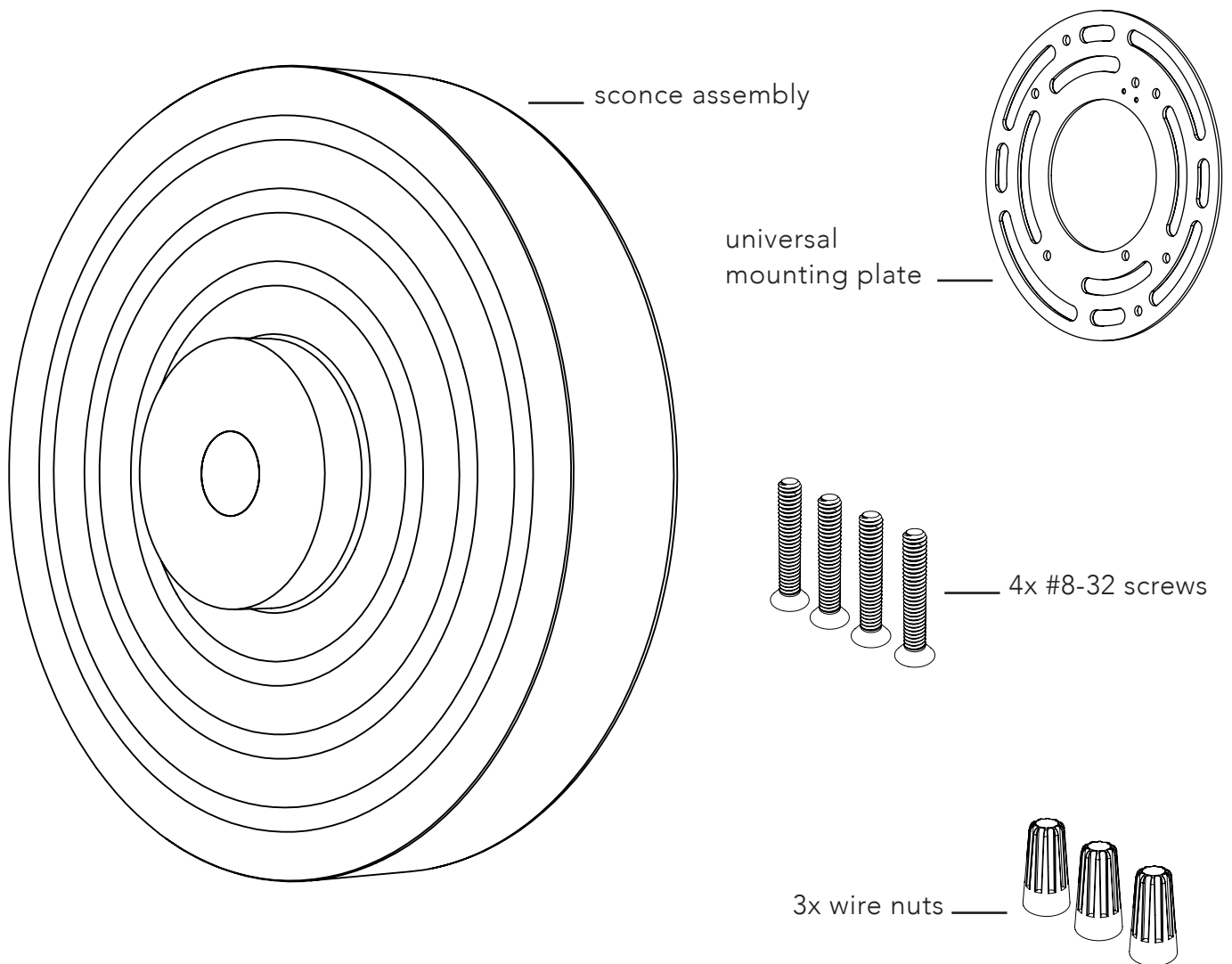


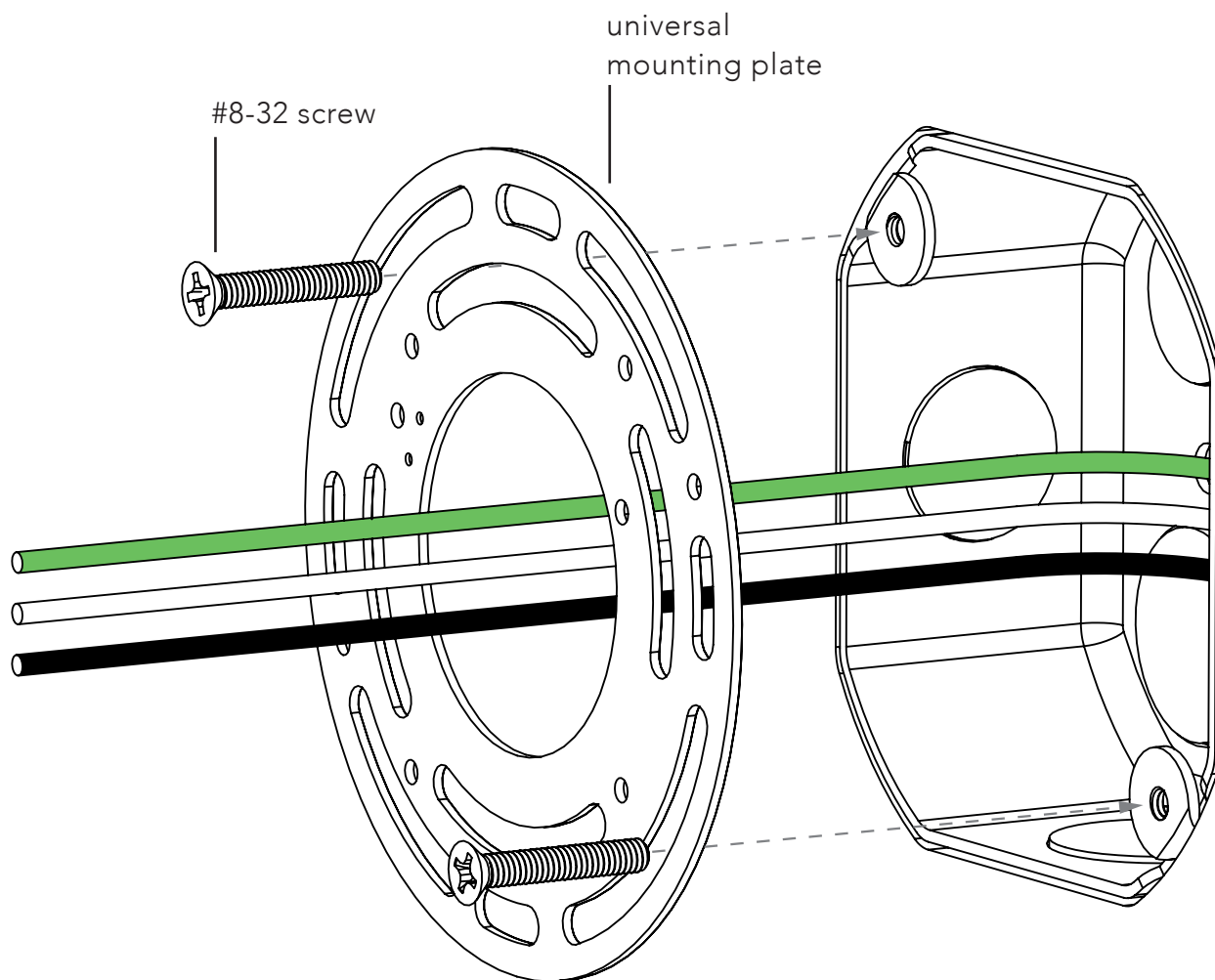
## Bronx Sconce Contents

1. Remove all parts from box onto a clean, soft surface and inspect for defects or damage.

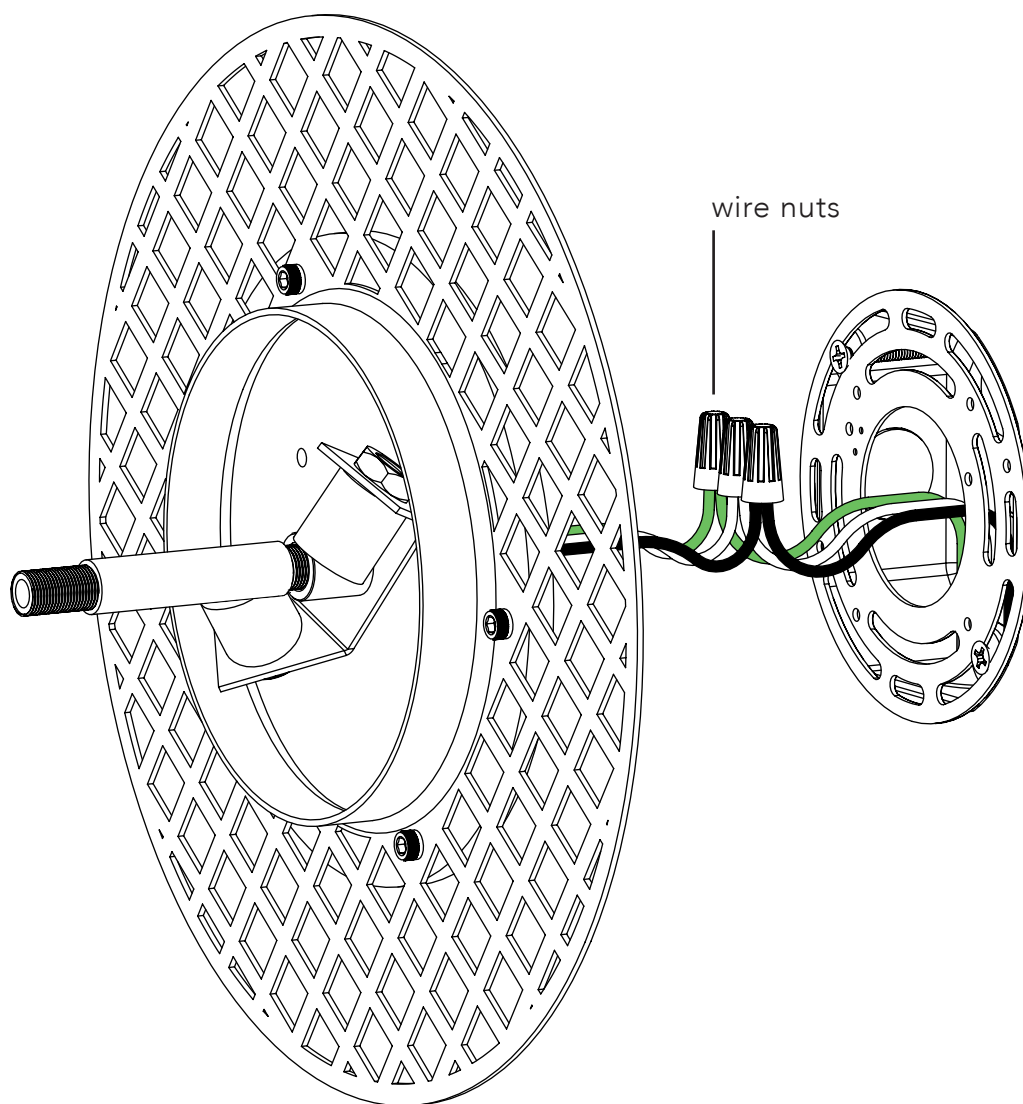


2. Feed wired from wall through center hole of the universal mounting plate then fasten mounting plate to junction box with screws provided.

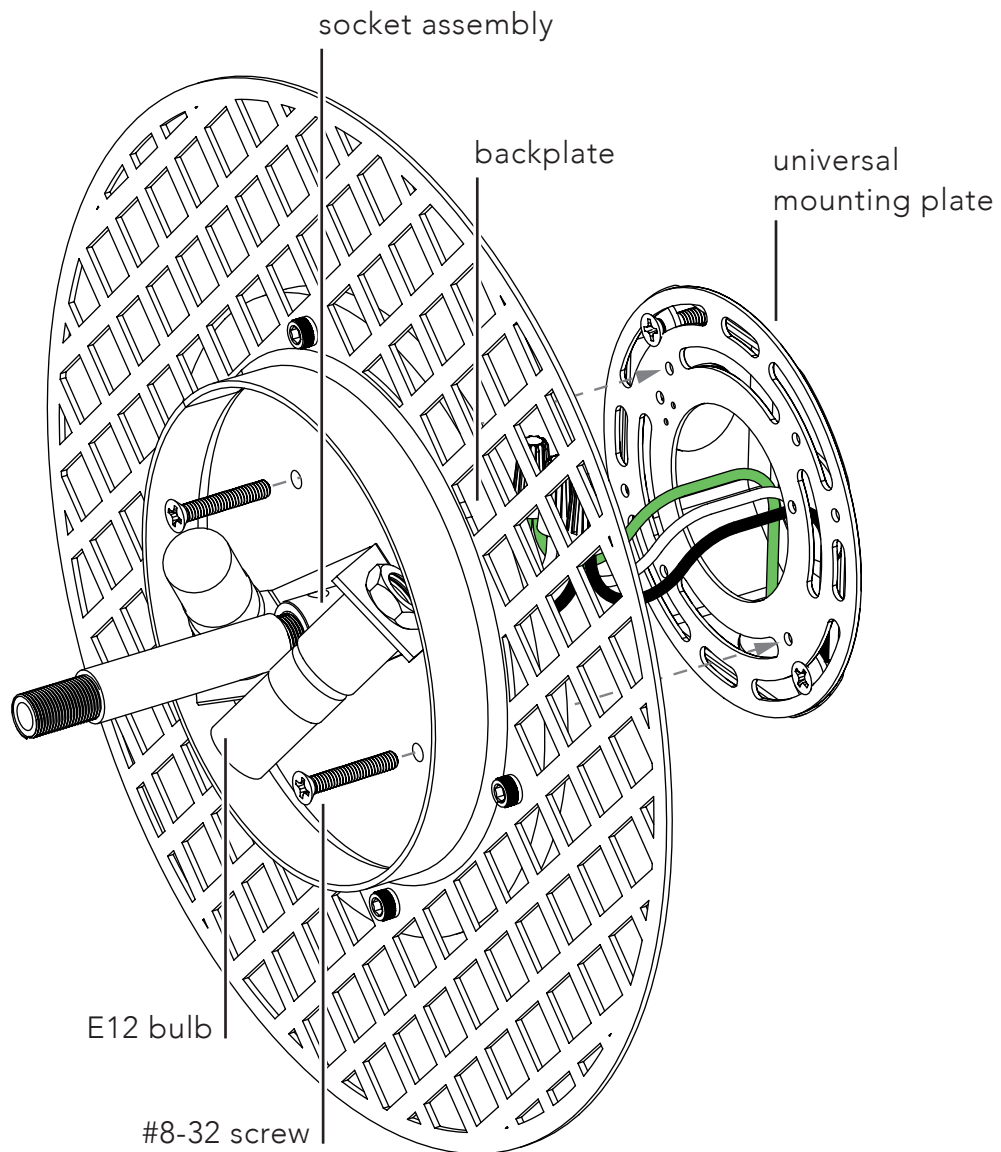
**NOTE:** The position in which you attach the universal mounting plate will affect the angle of the backplate/decorative grind once fastened. Adjust to your liking before you set it.



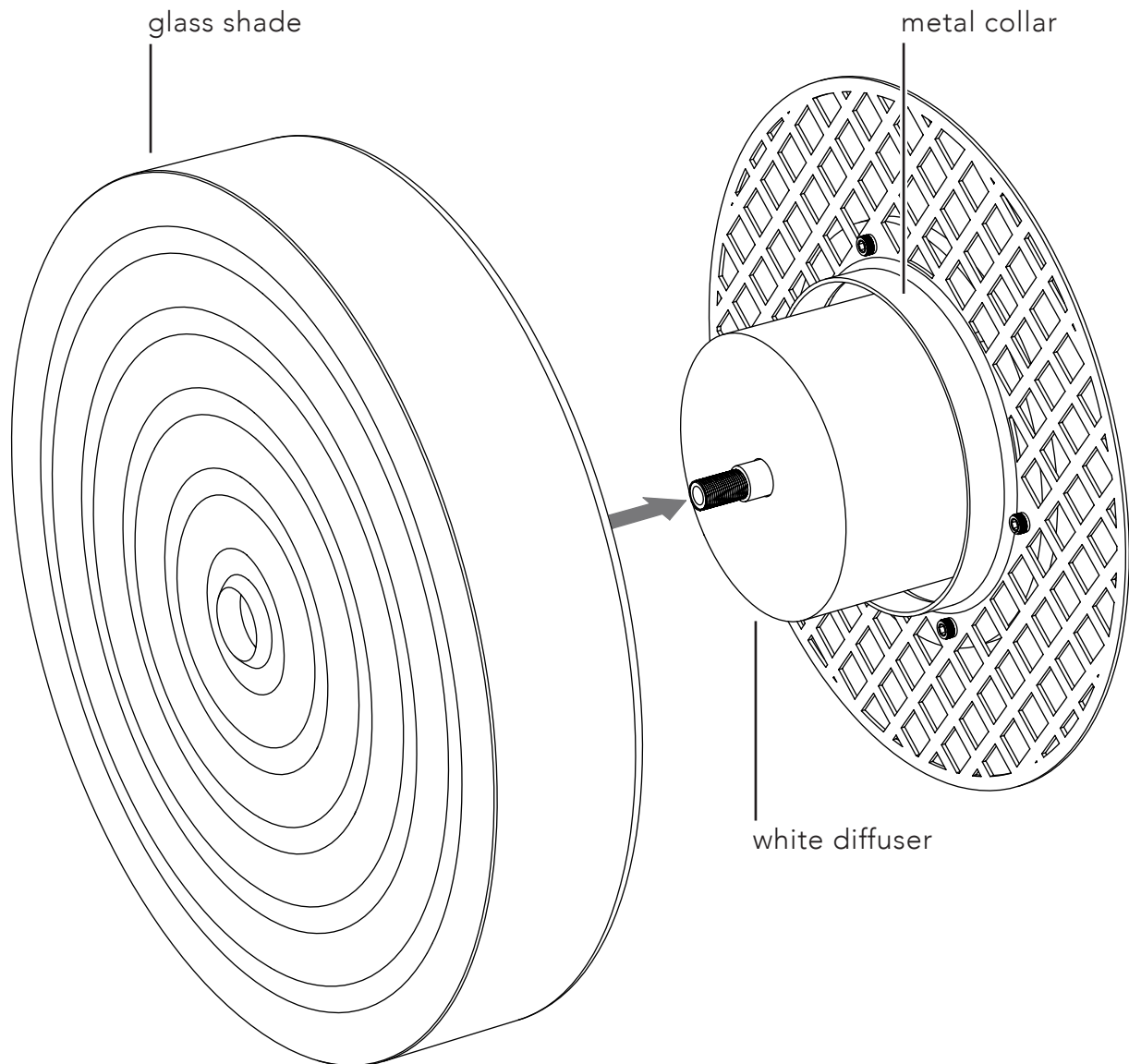
3. Fasten ground wires, then hot and neutral wires with wiring nuts provided.



4. Properly align mounting holes then fasten backplate to universal mounting plate with screws provided. Install T3 E12 LED bulbs into sockets.



5. Slide glass shade and white diffuser insert over the socket assembly until glass collar sits down inside metal collar on backplate.



6. Support glass with one hand, while screwing down concrete puck assembly into threaded coupler at center of glass opening. Do not over-tighten.

