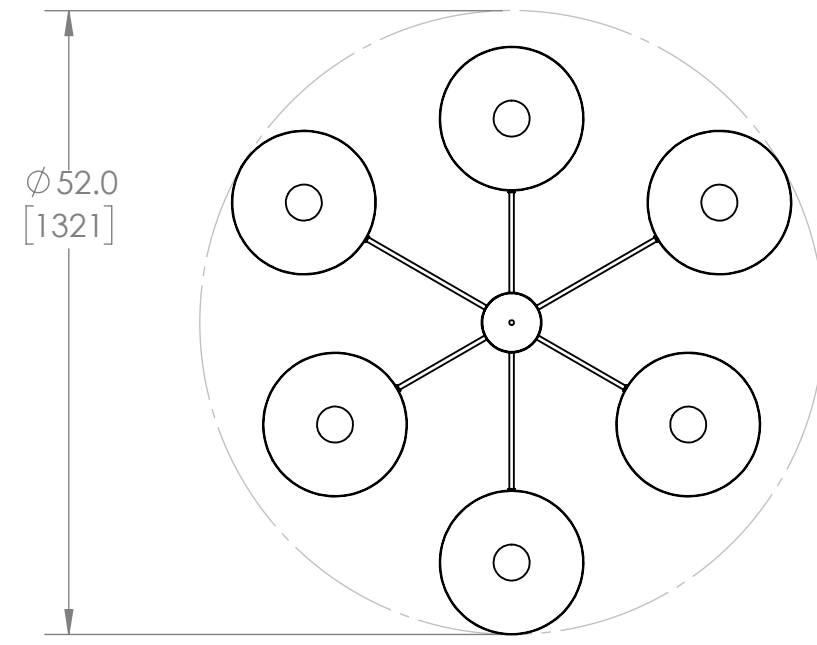


4

3

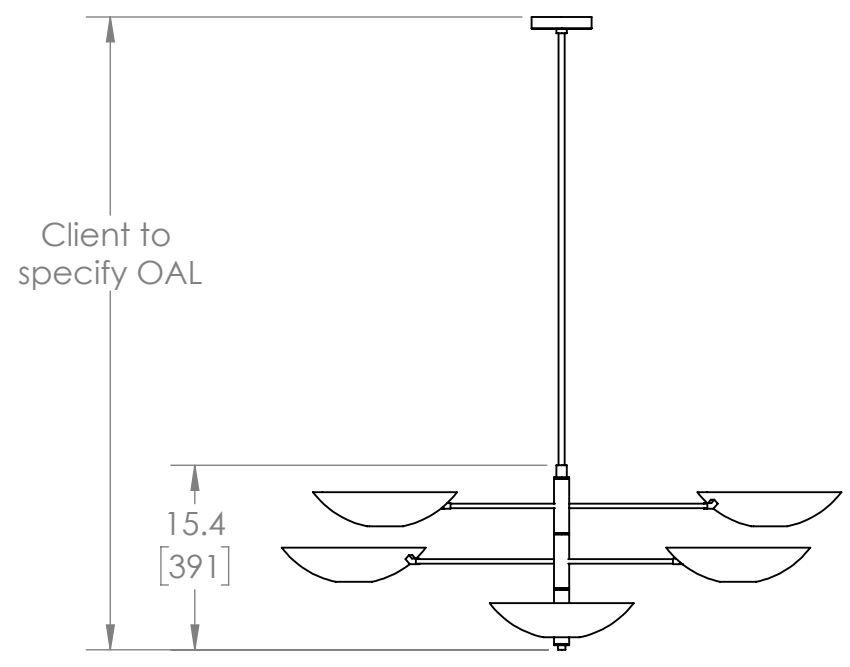
2

1



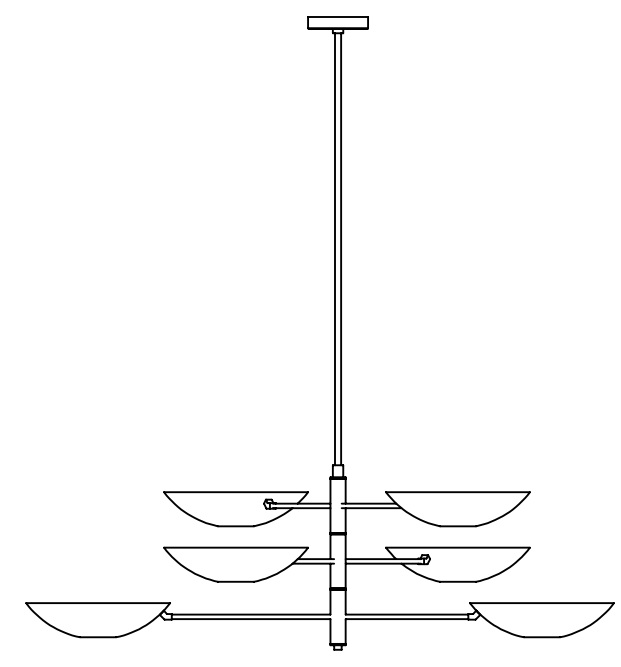
B

B



A

A



Blueprint Lighting

DIMENSIONS ARE IN INCHES DIMENSIONS IN [] ARE IN MM AND GIVEN FOR REFERENCE ONLY				DESCRIPTION Counterbalance
REV.	EST. MASS	SCALE	SIZE	FINISH
01	-	1:16	B	Client to specify

PROPRIETARY AND CONFIDENTIAL THE INFORMATION CONTAINED IN THIS DRAWING IS THE SOLE PROPERTY OF BLUEPRINT LIGHTING. ANY REPRODUCTION IN PART OR AS A WHOLE WITHOUT THE WRITTEN PERMISSION OF BLUEPRINT LIGHTING IS PROHIBITED.

4

3

2

1