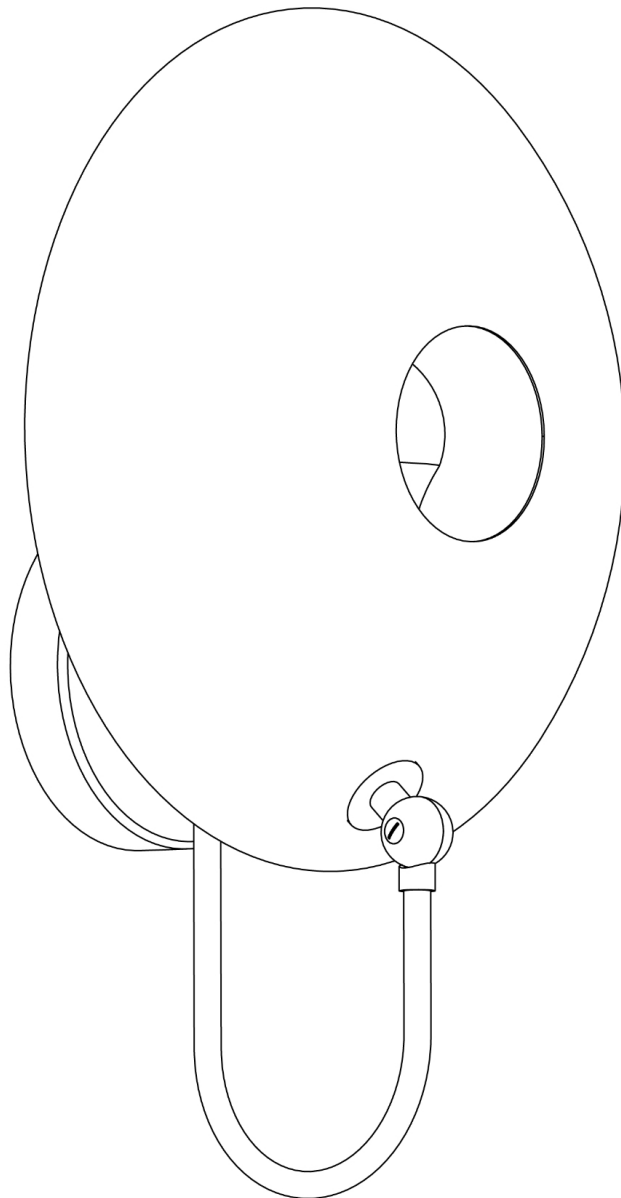
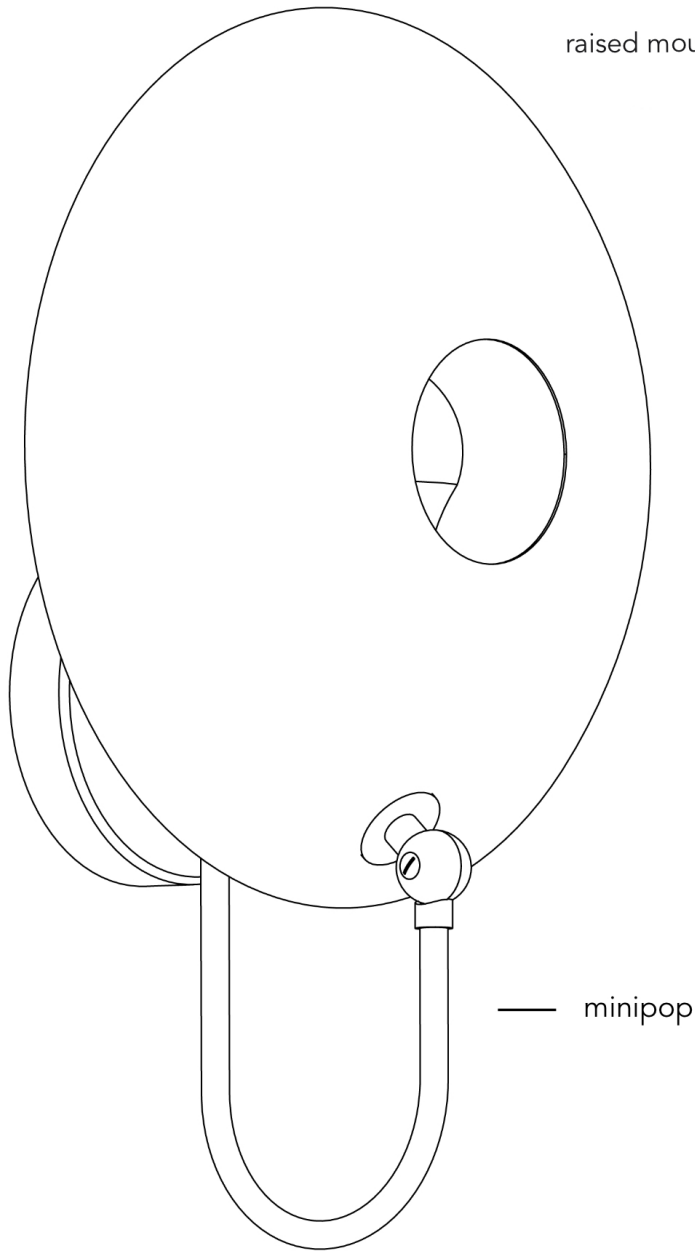


MiniPOP Wall Sconce

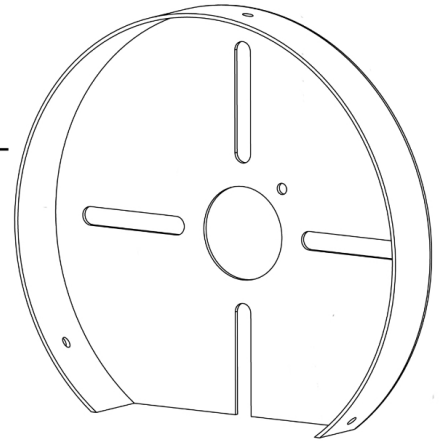


standard socket round bulb
not included

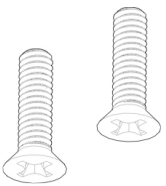
Contents



raised mounting plate



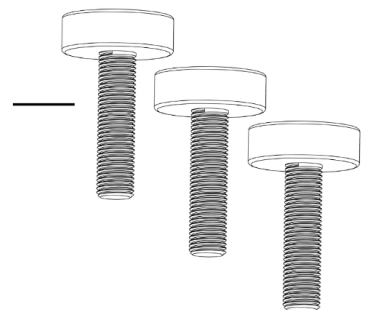
2x #8-32 screws



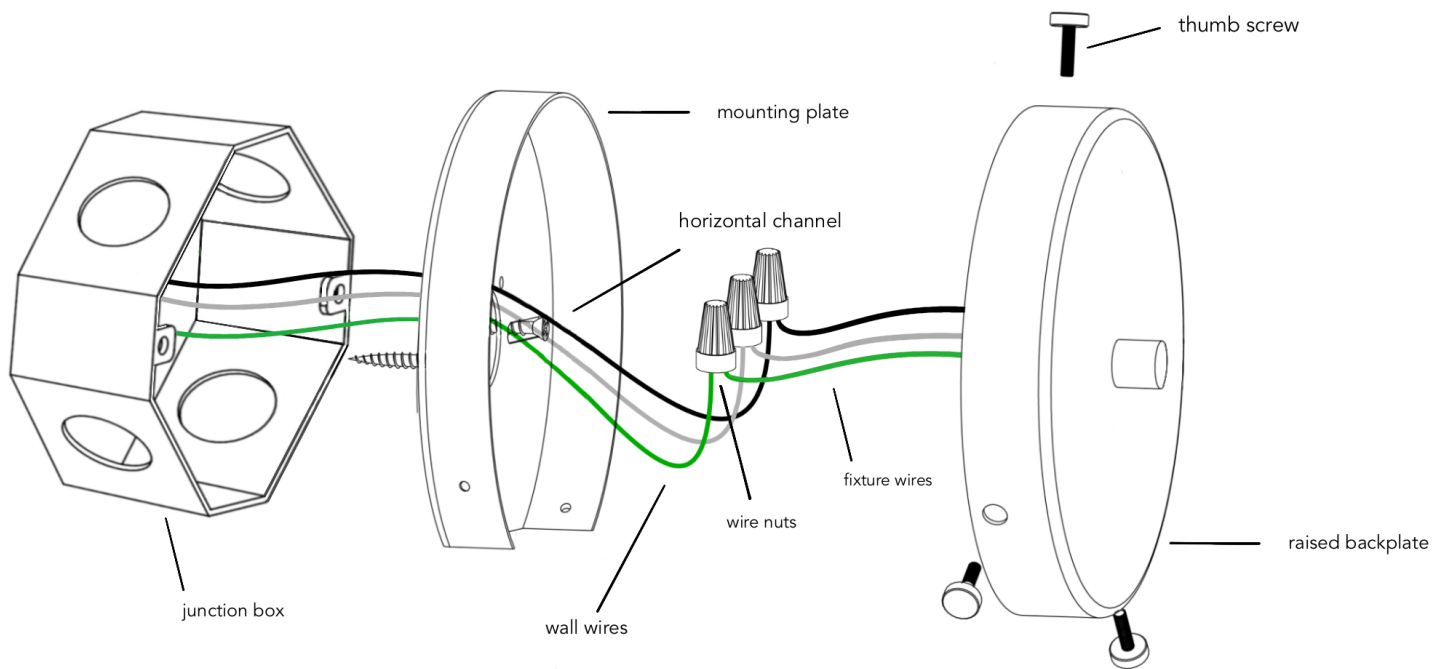
3x wire nuts



3x thumb screws



1. Mount the raised mounting plate directly to the junction box using the x2 of the provided #8-32 screws.
2. Hold the fixture backplate close to the wall and connect the fixture ground wire to the wall ground wire.
3. Connect the +/- fixture wires to the +/- wall wires.
4. Place the raised backplate onto the mounting plate.
6. Rotate the raised backplate until all three side holes line up with the corresponding holes on the mounting plate.
7. Use the 3 provided thumb screws to tighten the fixture in place.



mini pop fixture not pictured for clearer view