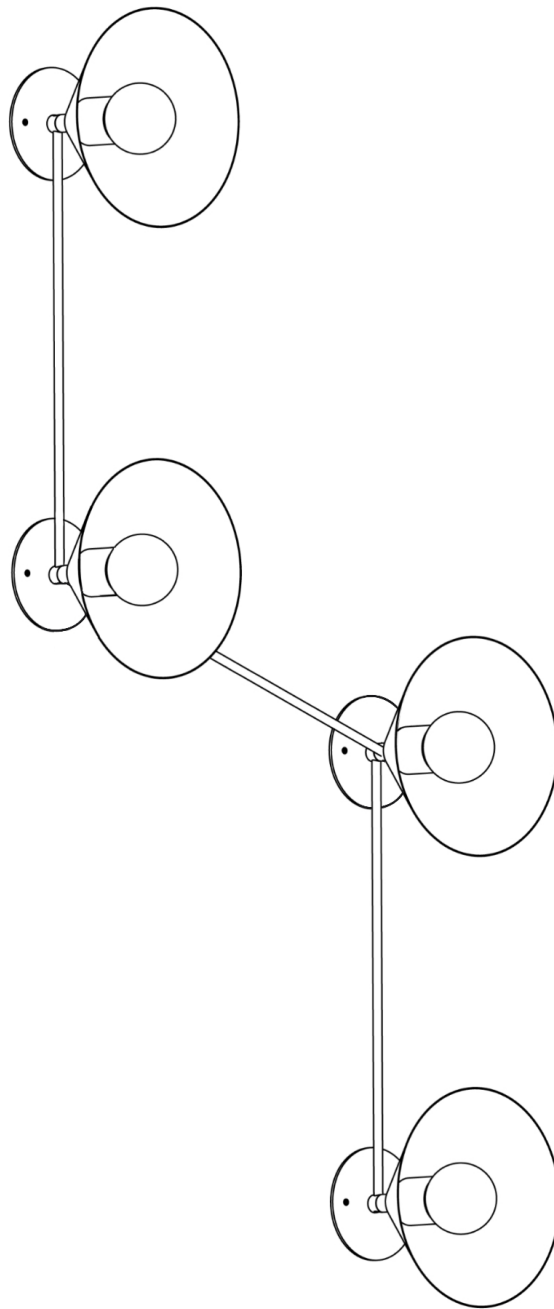
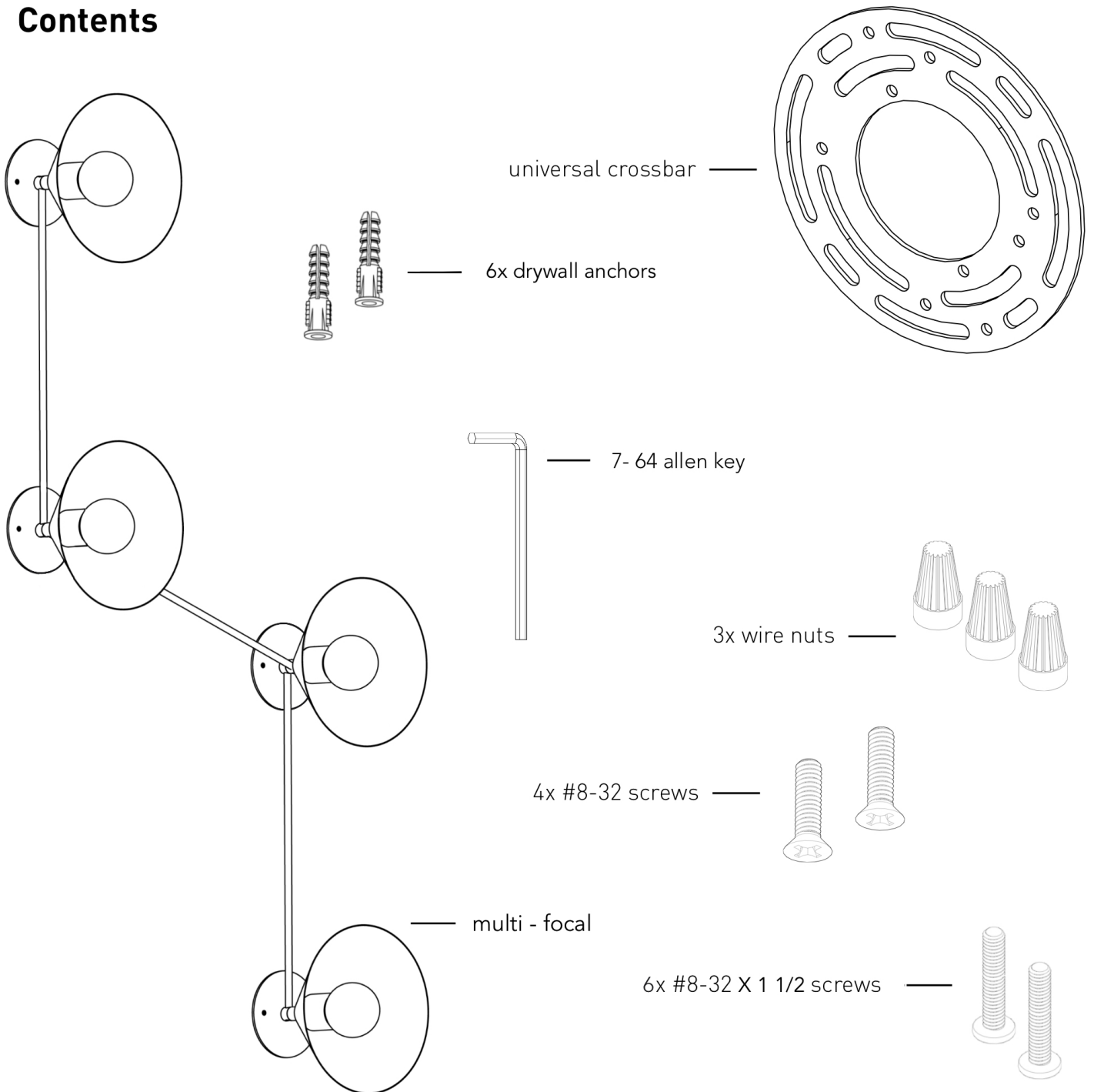


Multi - Focal Wall Sconce

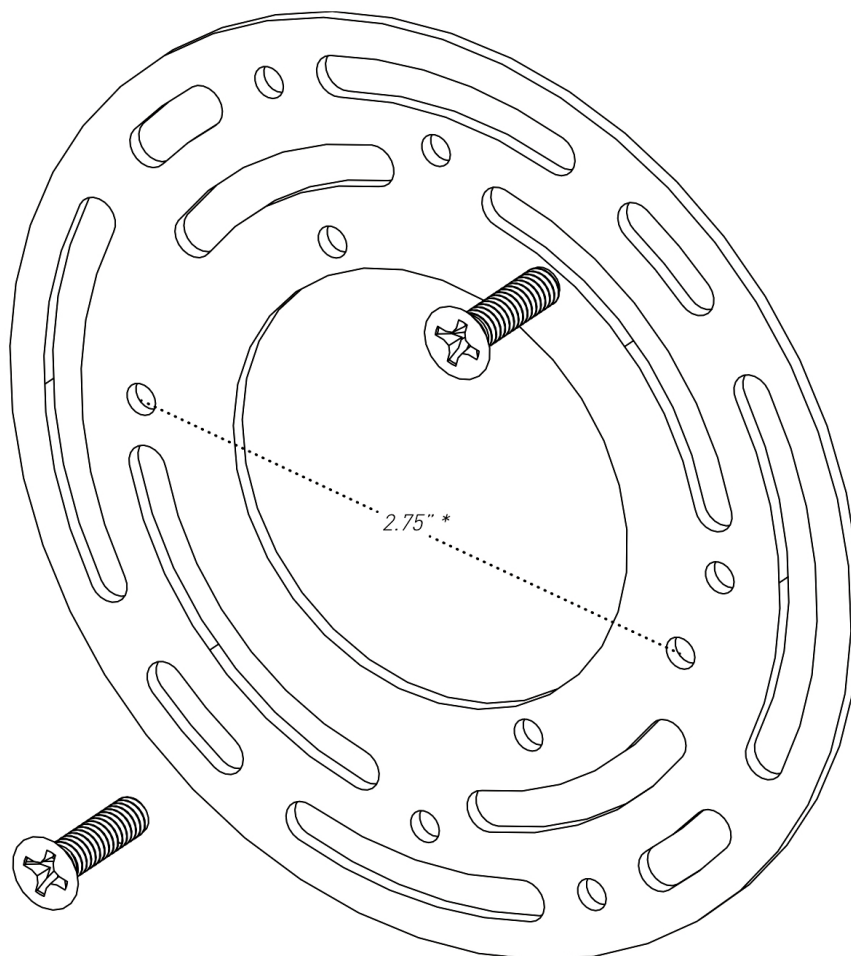


G25 globe bulbs
not included

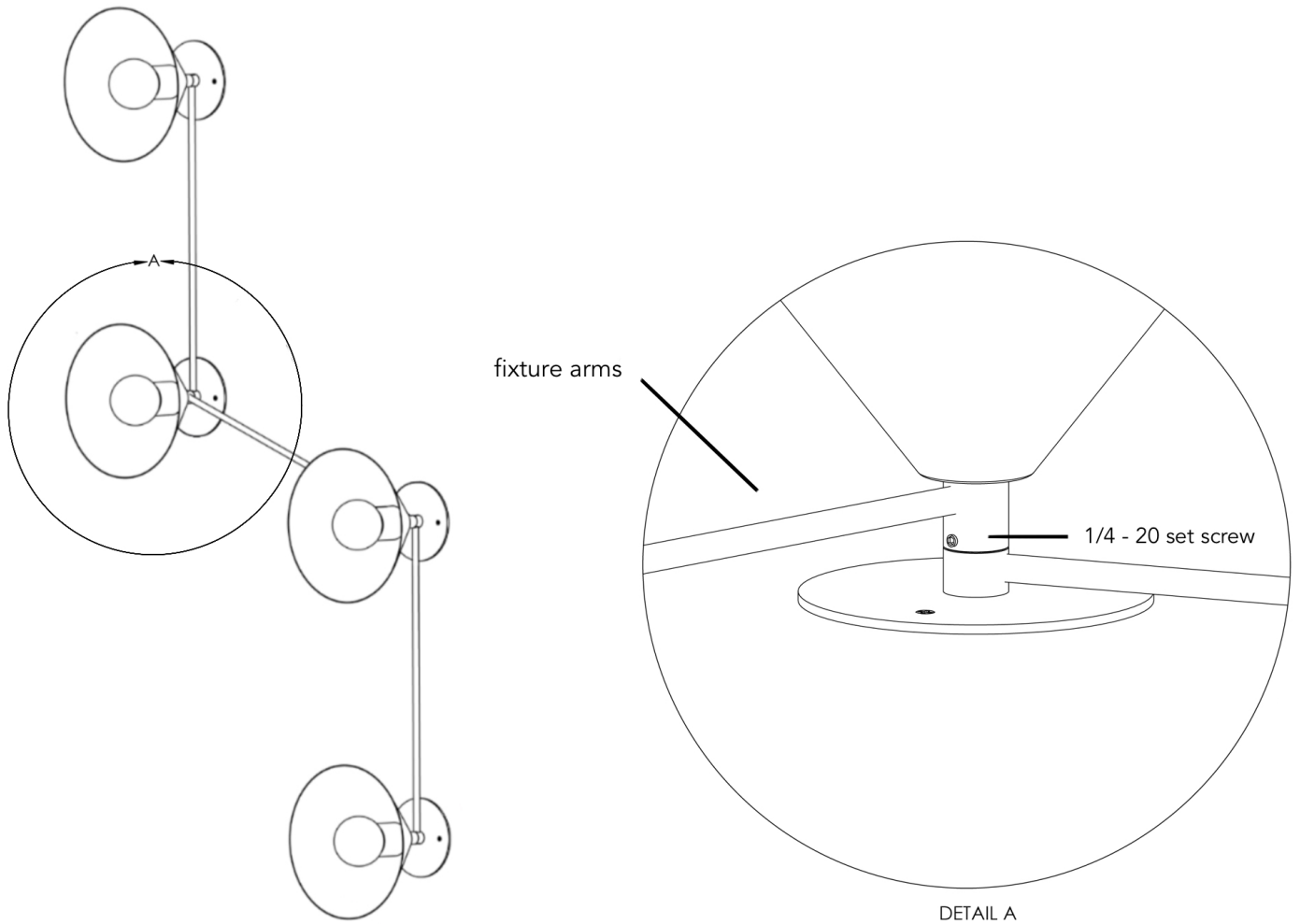
Contents



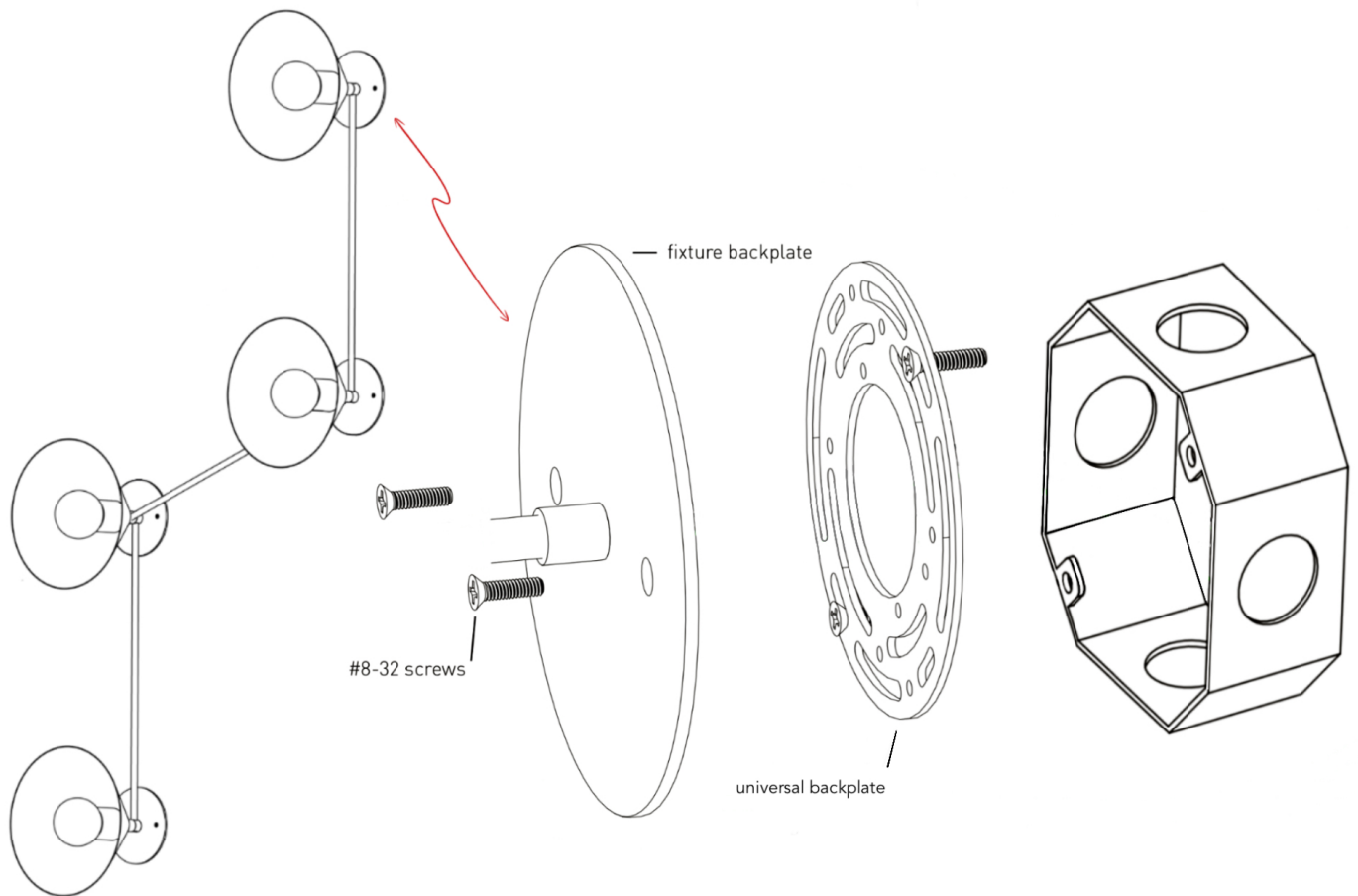
1. Mount the universal crossbar directly to the junction box using x2 of the provided #8-32 screws.
** The tapped holes that are a 2.75" spacing must end up horizontal to each other in order to mount the fixture in the next step.*



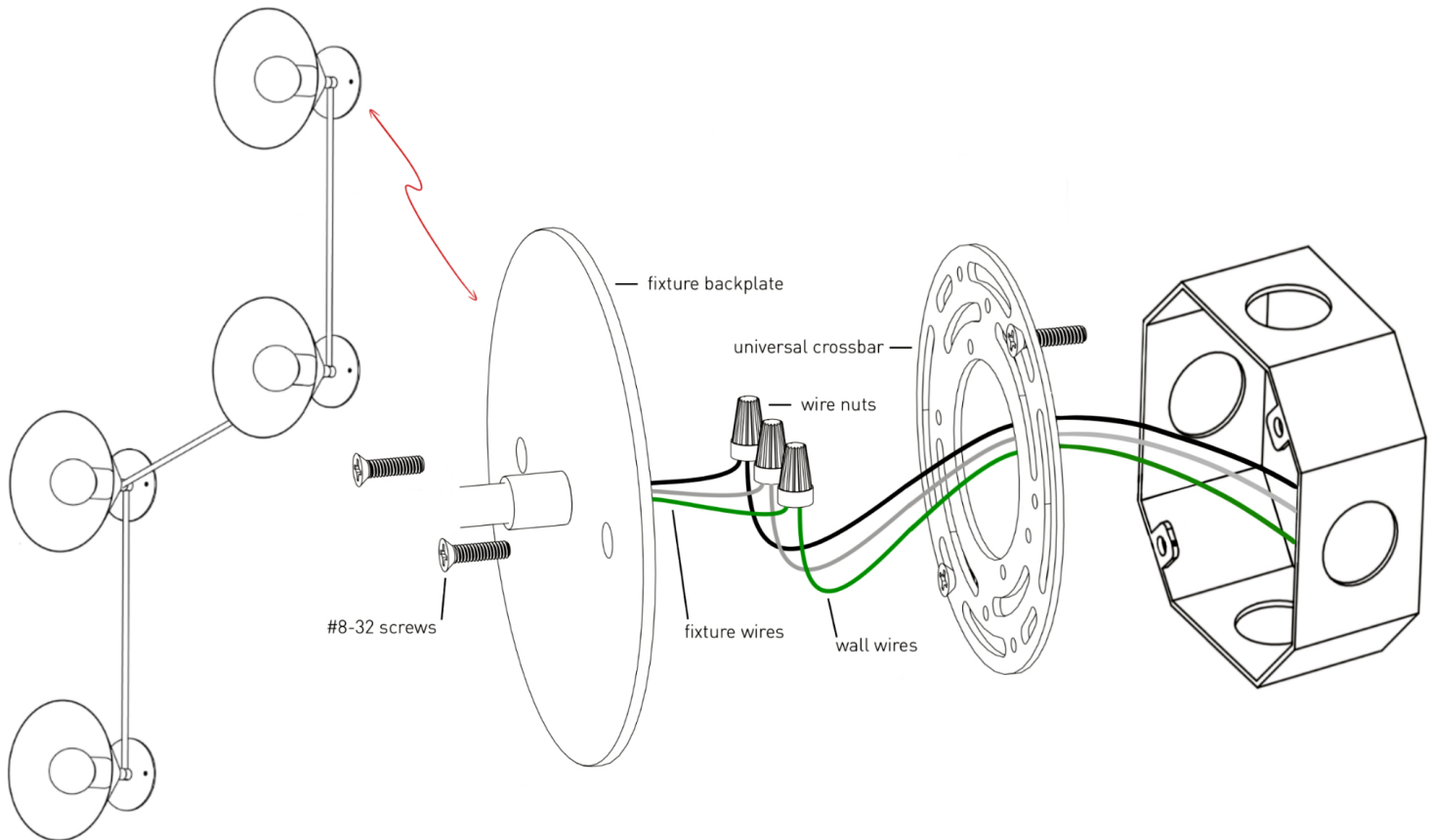
2. Using the 1/4 - 20 set screws behind each shade, lock the arms into your desired configuration.



3. Once the fixture shape is locked into place, mount the top backplate to the junction box without connecting any wires in order to determine precise location on the wall. Mark the mounting holes of the additional 3 backplates while the fixture is held to the wall.
4. Remove the fixture from the wall and drill the backplate holes using a 1/4 inch drill bit, and install drywall anchors.



5. Hold the top fixture backplate close to the wall and connect the fixture ground wire to the wall ground wire.
6. Connect the +/- fixture wires to the +/- wall wires.
7. Mount the top fixture backplate to the 2.75" spaced tapped holes in the universal mounting plate using x2 of the provided #8-32 screws.



8. Mount the remaining 3 backplates to the wall by screwing x6 of the provided #8 - 32 x 1 1/2 screws into the drywall anchors.

