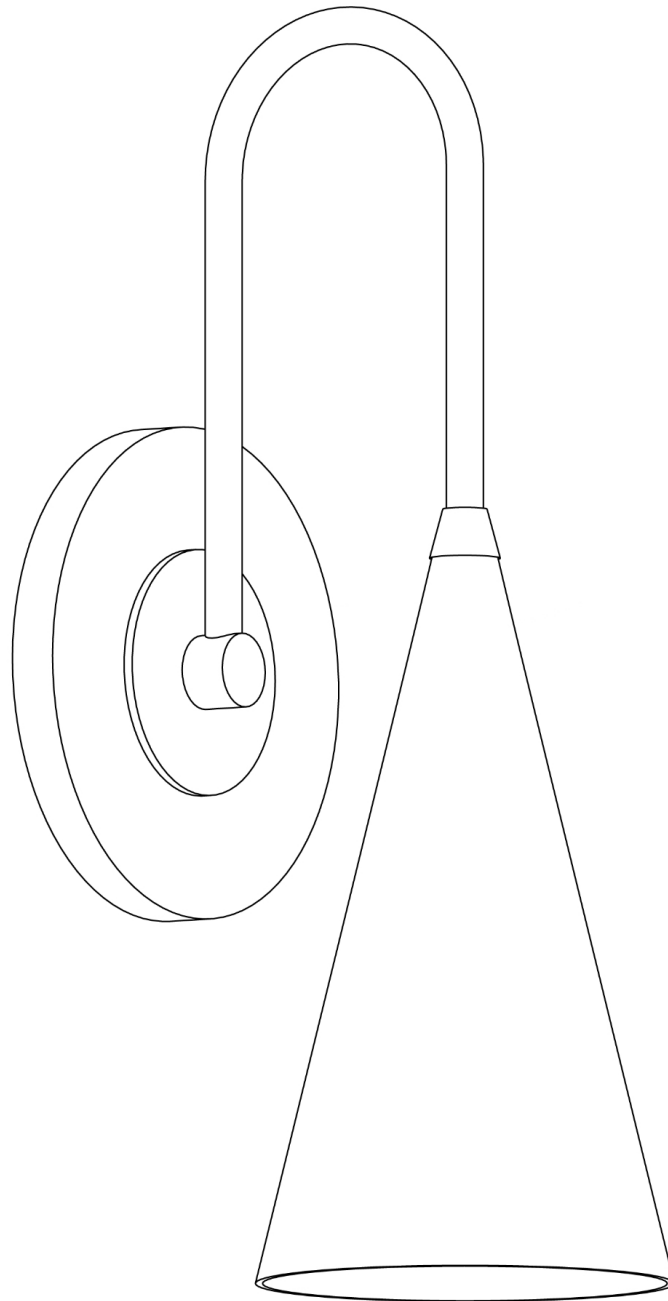
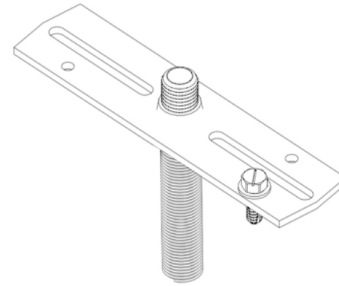
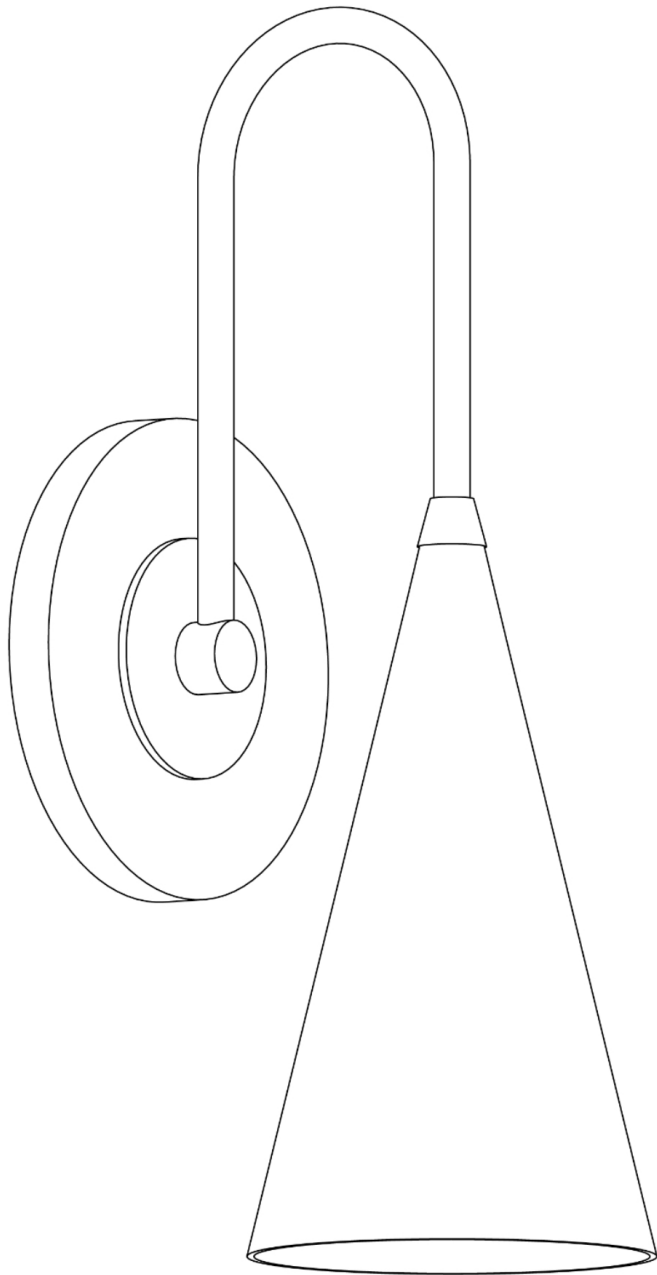


Solana Wall Mount Lamp



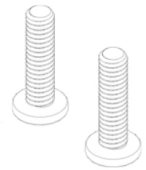
E12 candelabra base bulb
not included

Contents



— crossbar

2x #8-32 screws



3x wire nuts

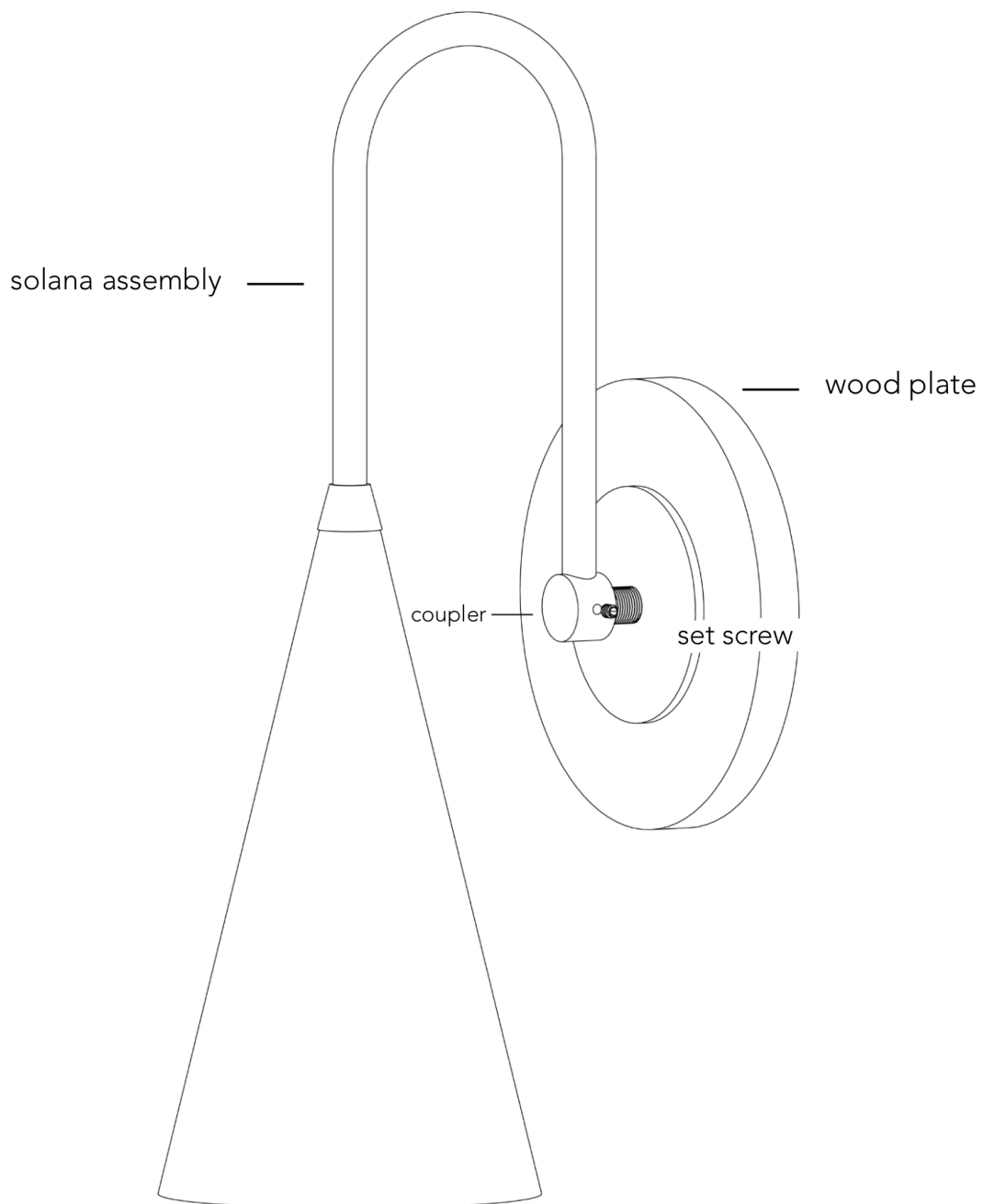


— solana

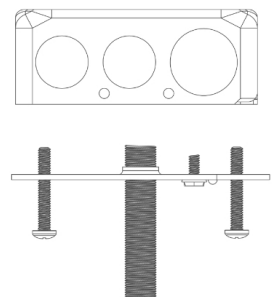
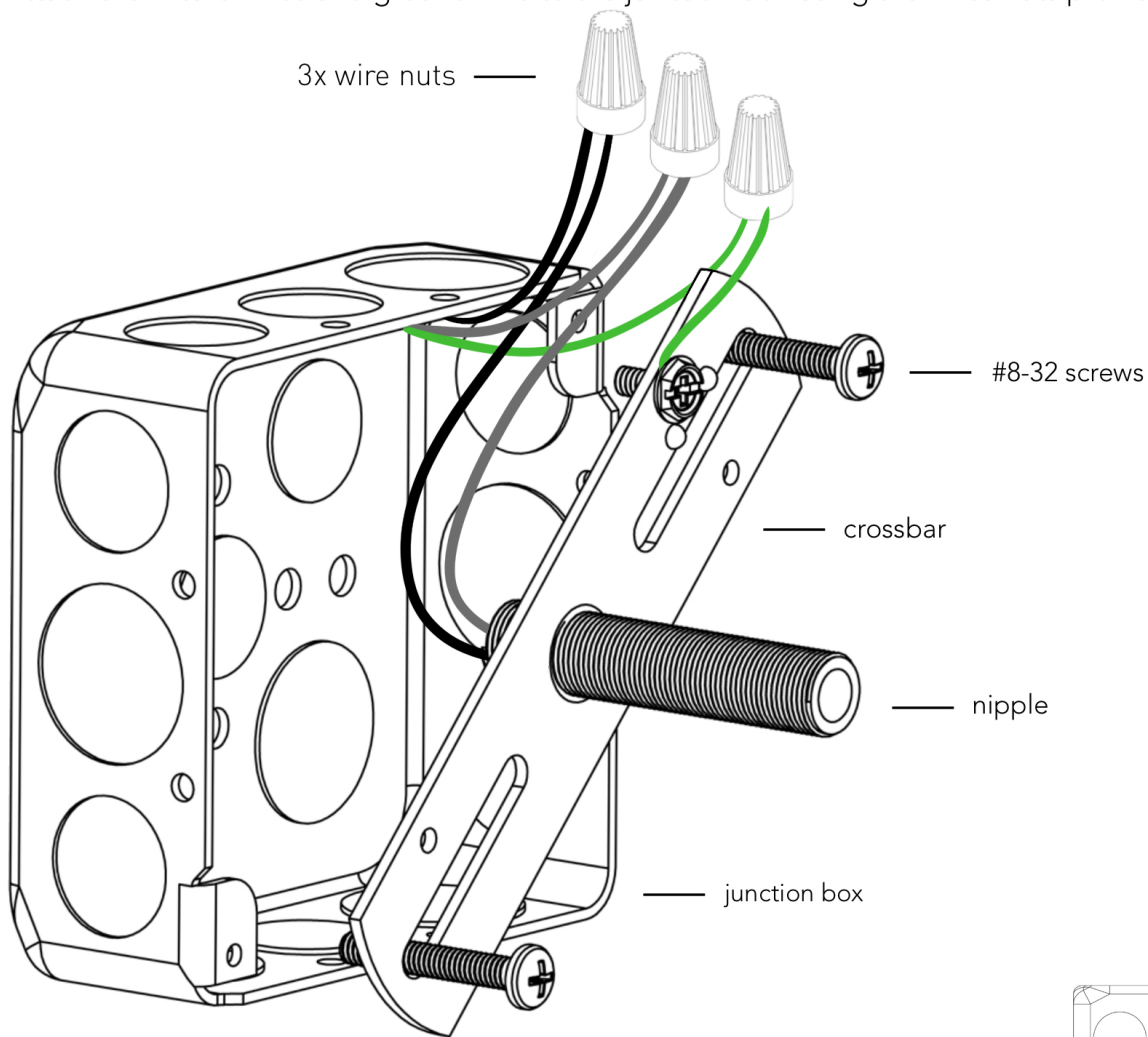


— 7-64 allen key

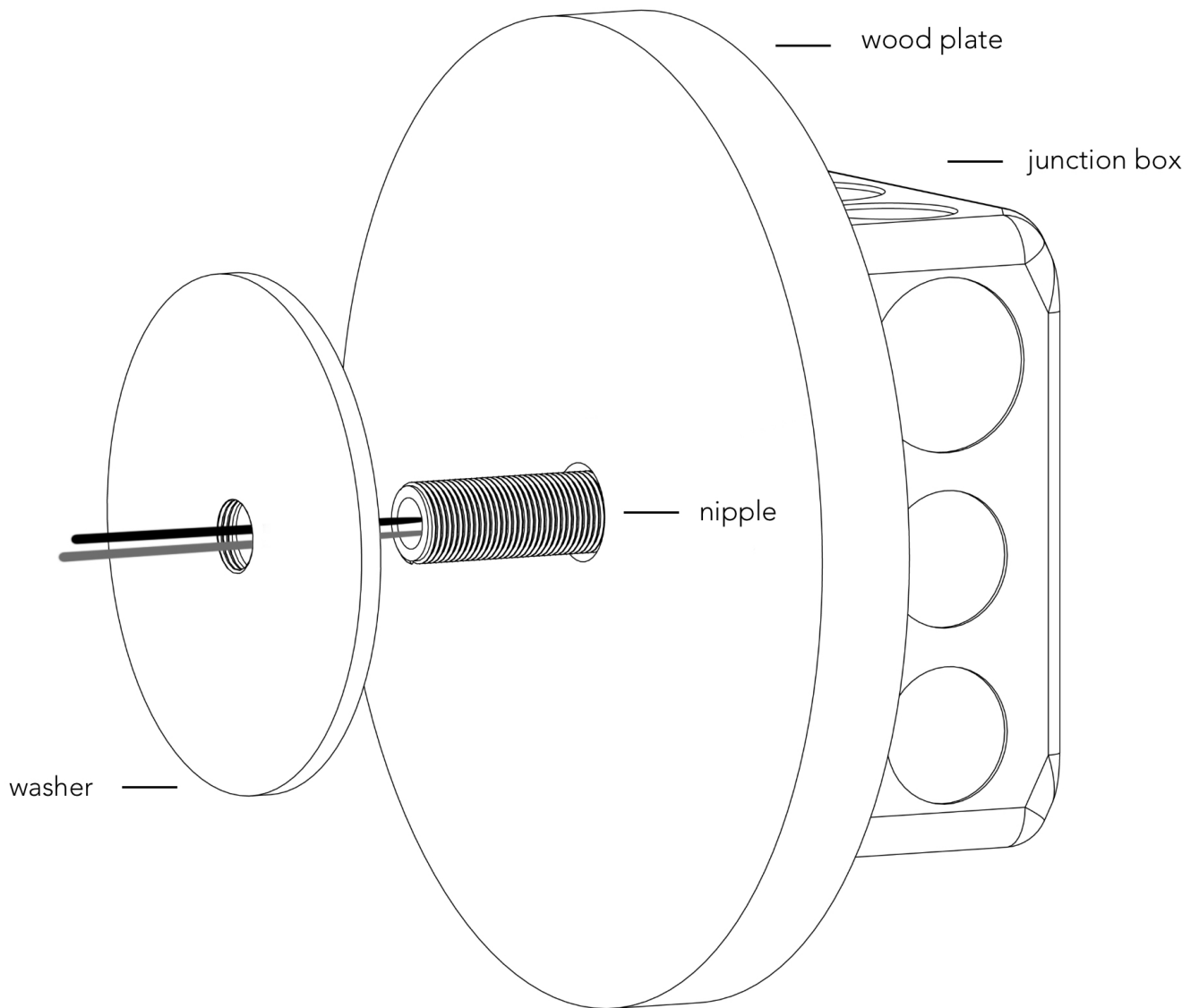
1. Using a size 7/64 allen key, remove the set screw from the coupler and detach the solana assembly from the nipple.



2. Remove the crossbar and unscrew the nipple from the solana assembly.
3. Mount the crossbar with the nipple attached to the junction box using the provided #8-32 screws.
4. Attach the fixture wires and ground wire to the junction box using the wires nuts provided.



4. Slide the wood plate over the nipple.
5. Screw on the washer to the nipple to hold the wood plate in place.



6. Slide the solana assembly onto the nipple and tighten with the set screw using a size 7/64 allen key.

