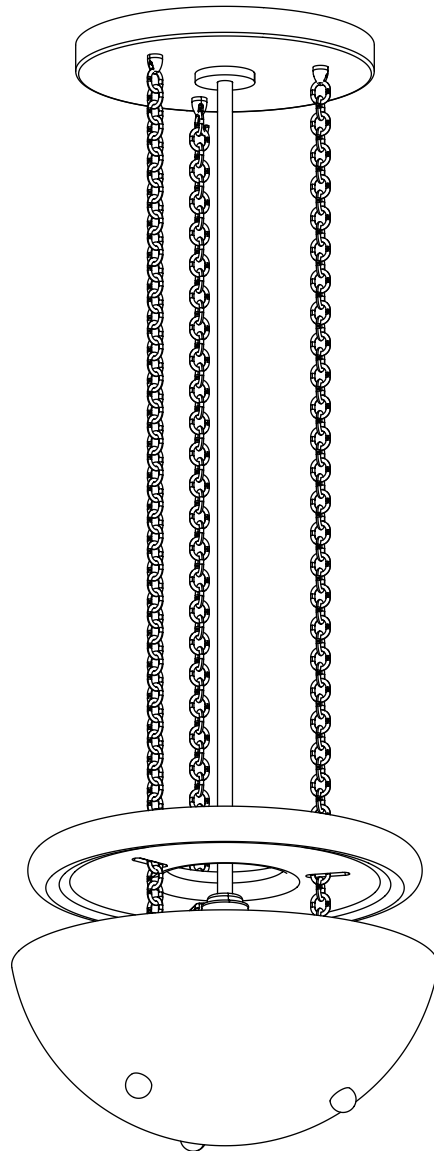
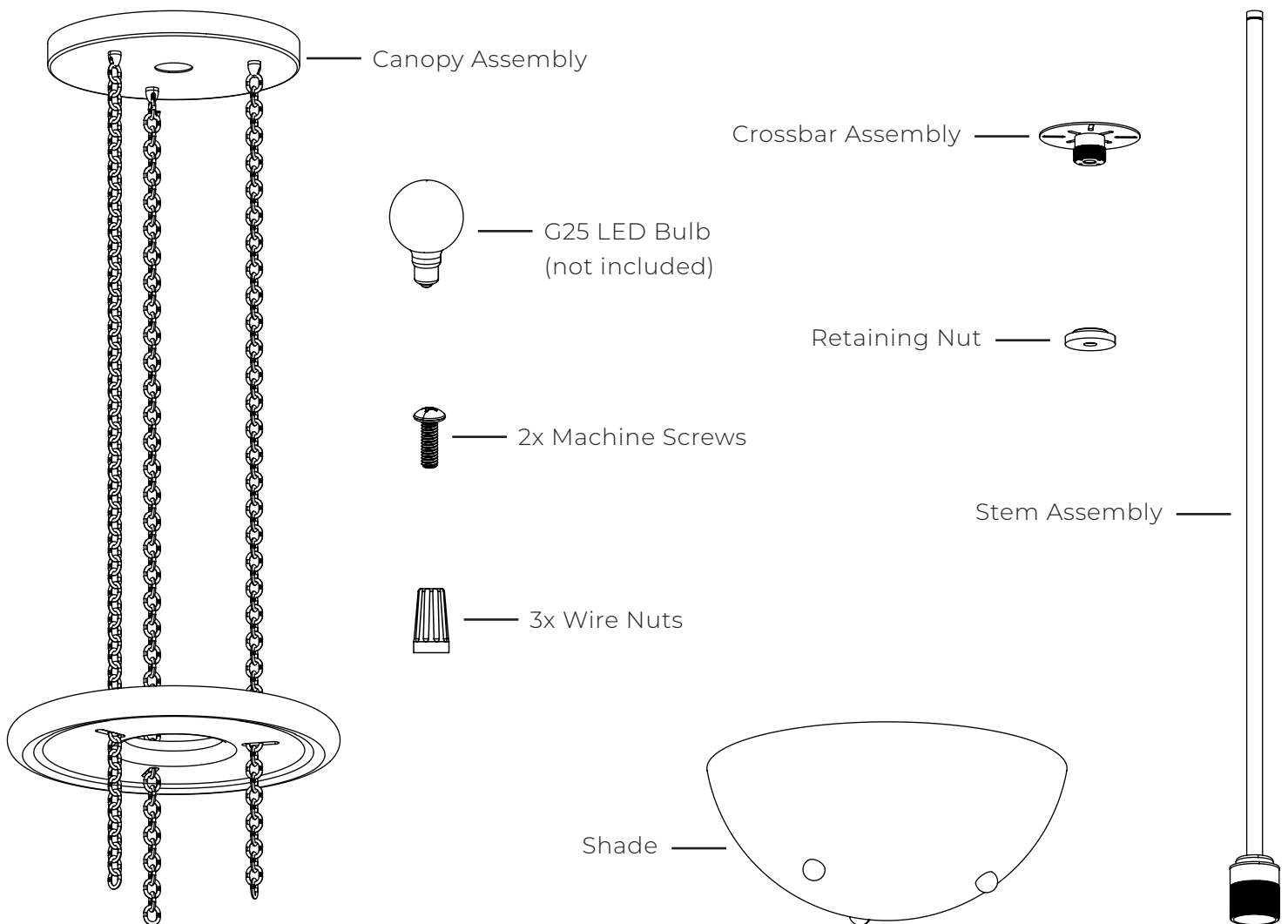


Carlyle Pendant



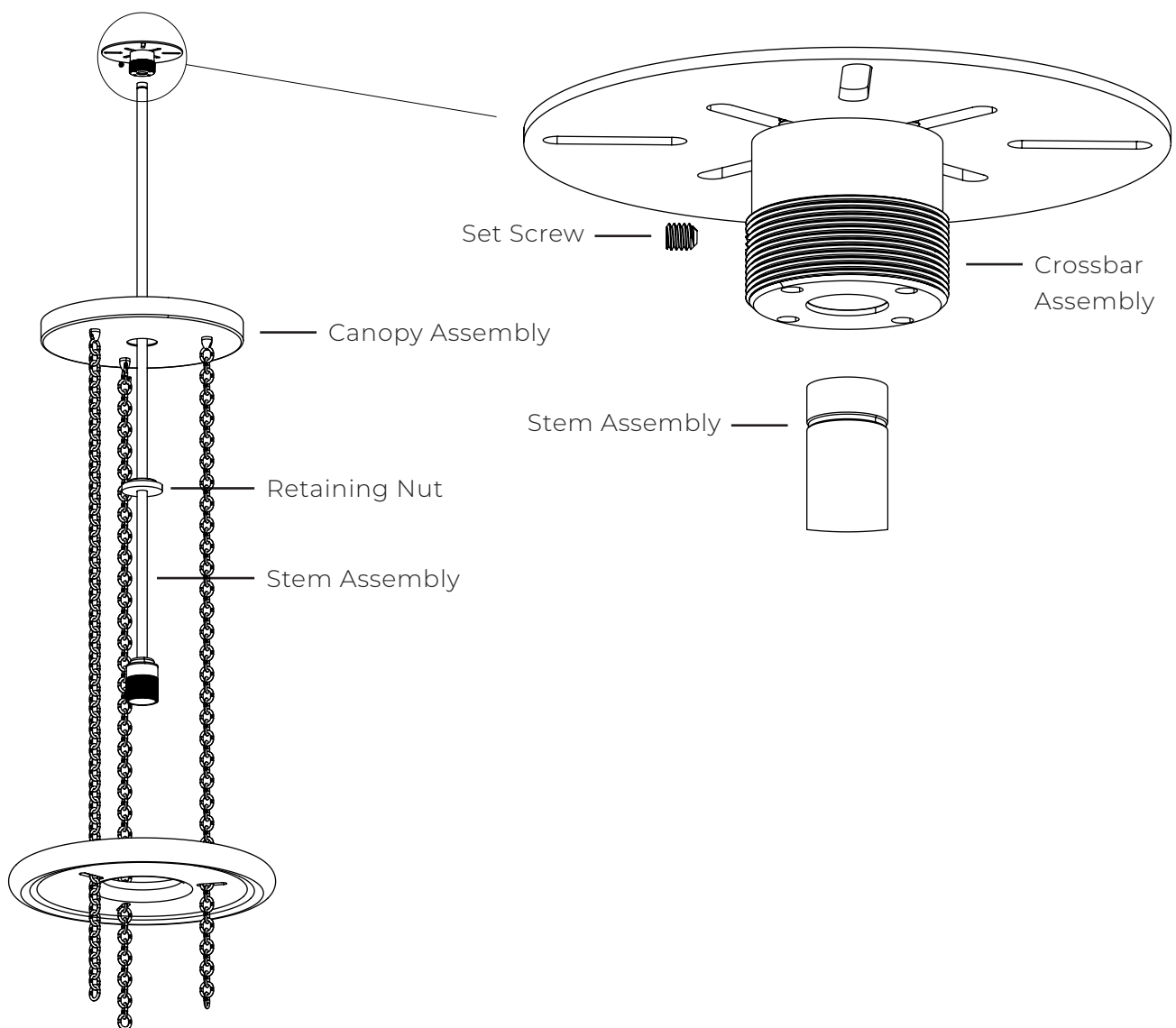
Carlyle Pendant Contents

Remove all parts from box onto a clean, soft surface and inspect for defects or damage.



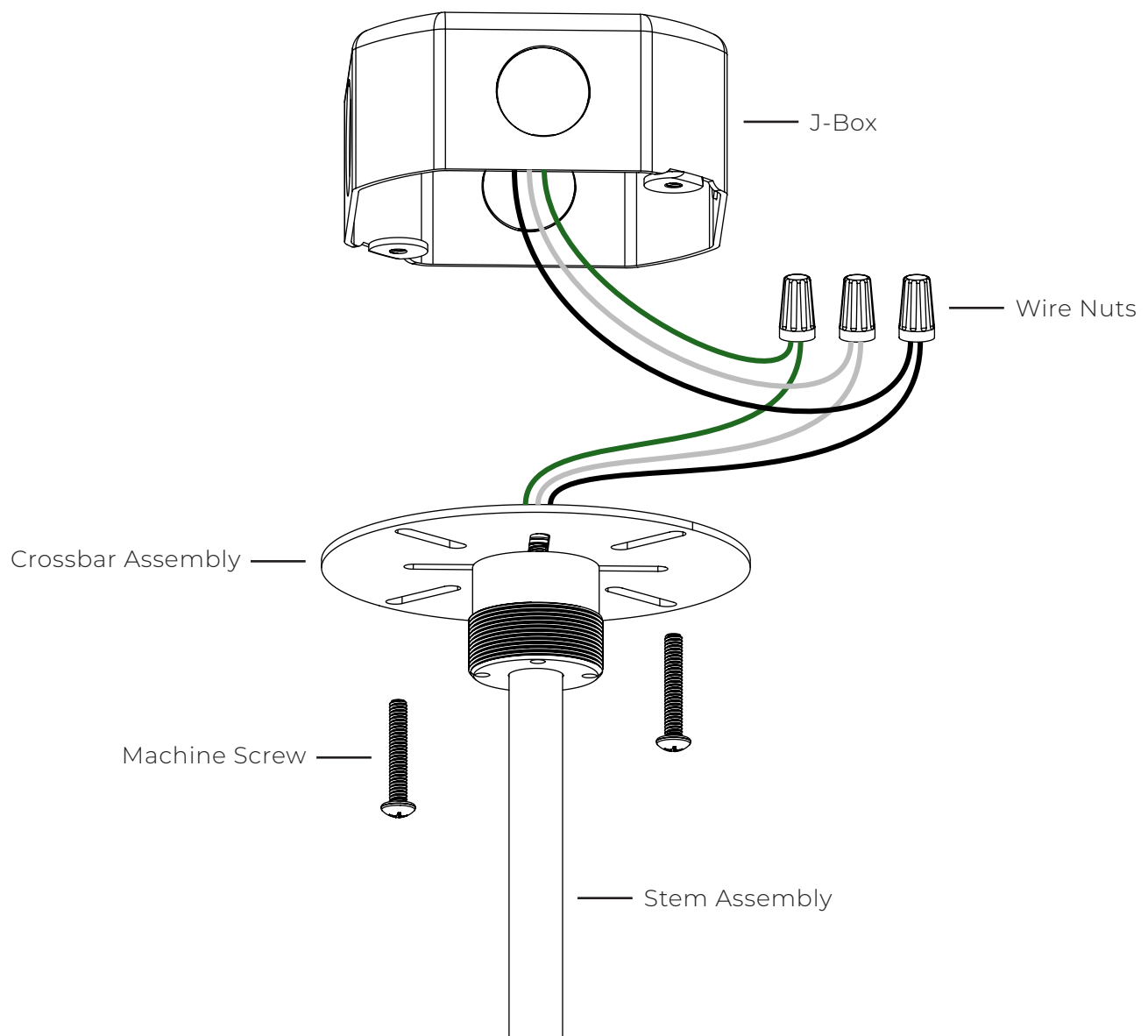
1. Slide the retaining nut over the stem assembly with the threaded end facing up. Slide the canopy assembly over the stem assembly as shown.

2. Slide the crossbar assembly over the end of the stem assembly as shown. Tighten the set screw into the groove at the top of the stem, making sure it is very tight and secure.

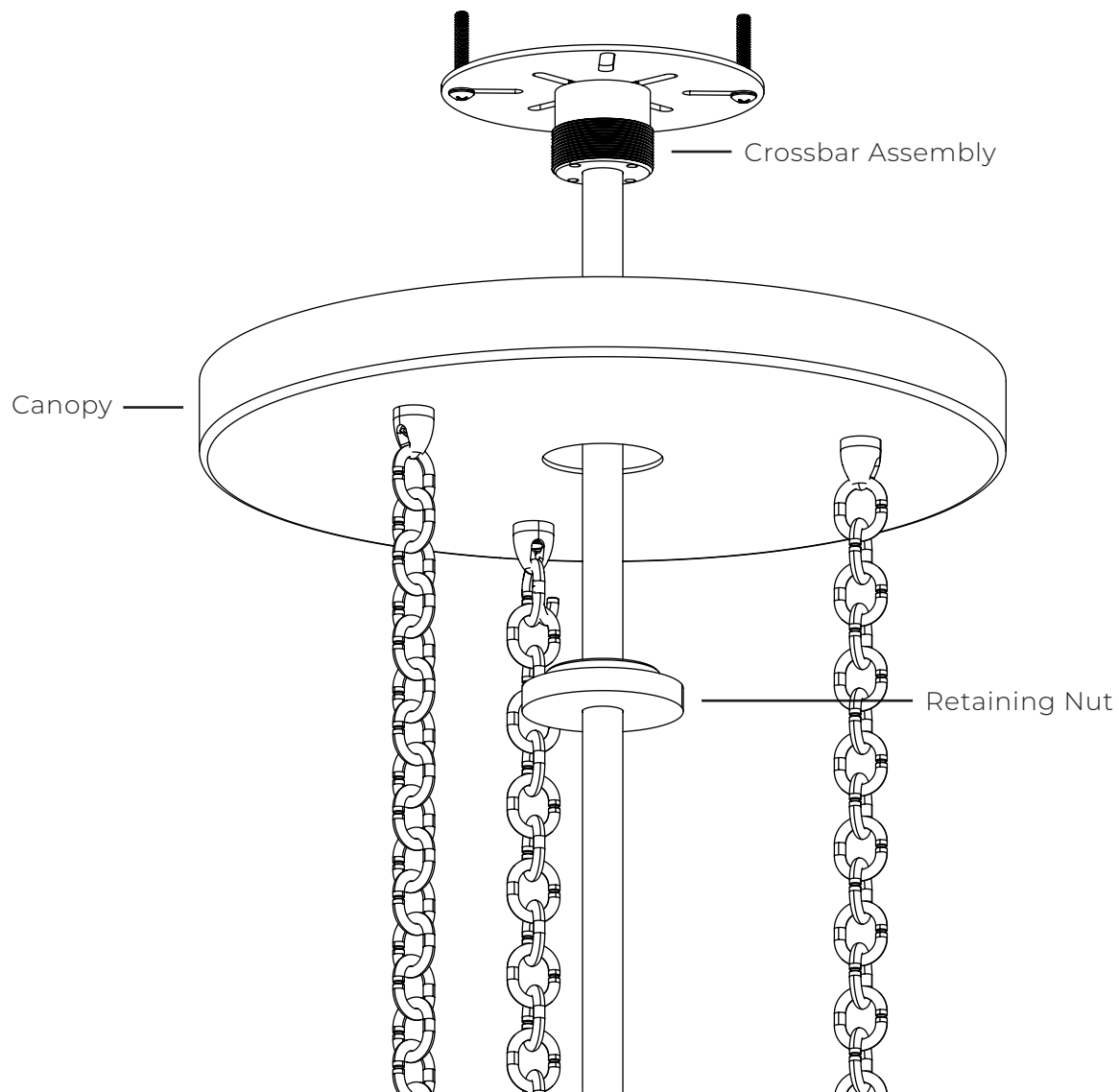


3. Connect the fixture ground wire to the ceiling ground wire. Connect the +/- fixture wires to the +/- ceiling wires.

4. Connect the crossbar assembly to the j-box using the 2x machine screws, making sure to tuck the wires and wire nuts inside the j-box.



5. Slide the canopy over the crossbar assembly. Thread the retaining nut onto the crossbar assembly to fasten the canopy to the ceiling.



6. Thread the G25 LED bulb (not included) into the socket.
7. Connect each of the 3x chains to the 3x hooks on the inside of the shade.

