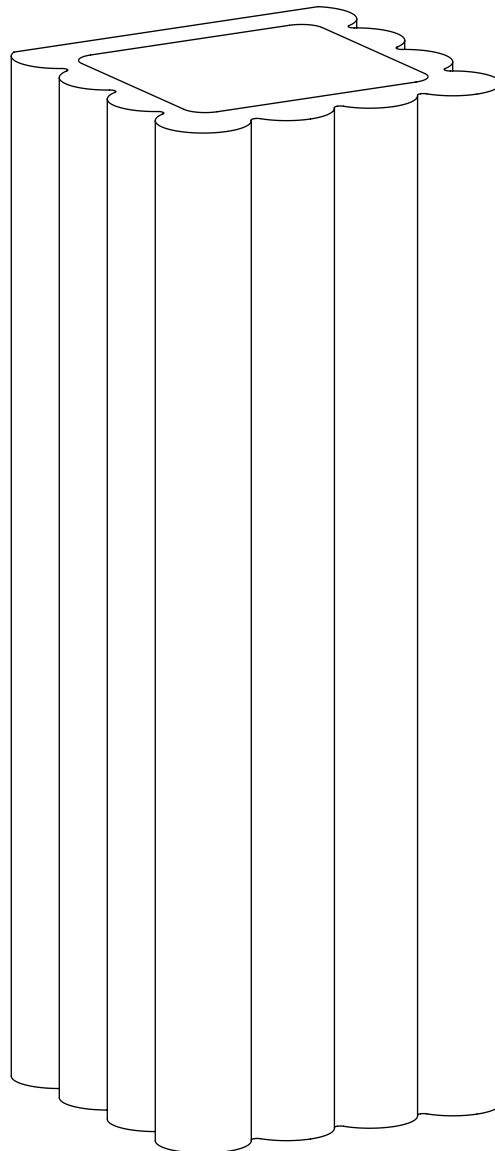
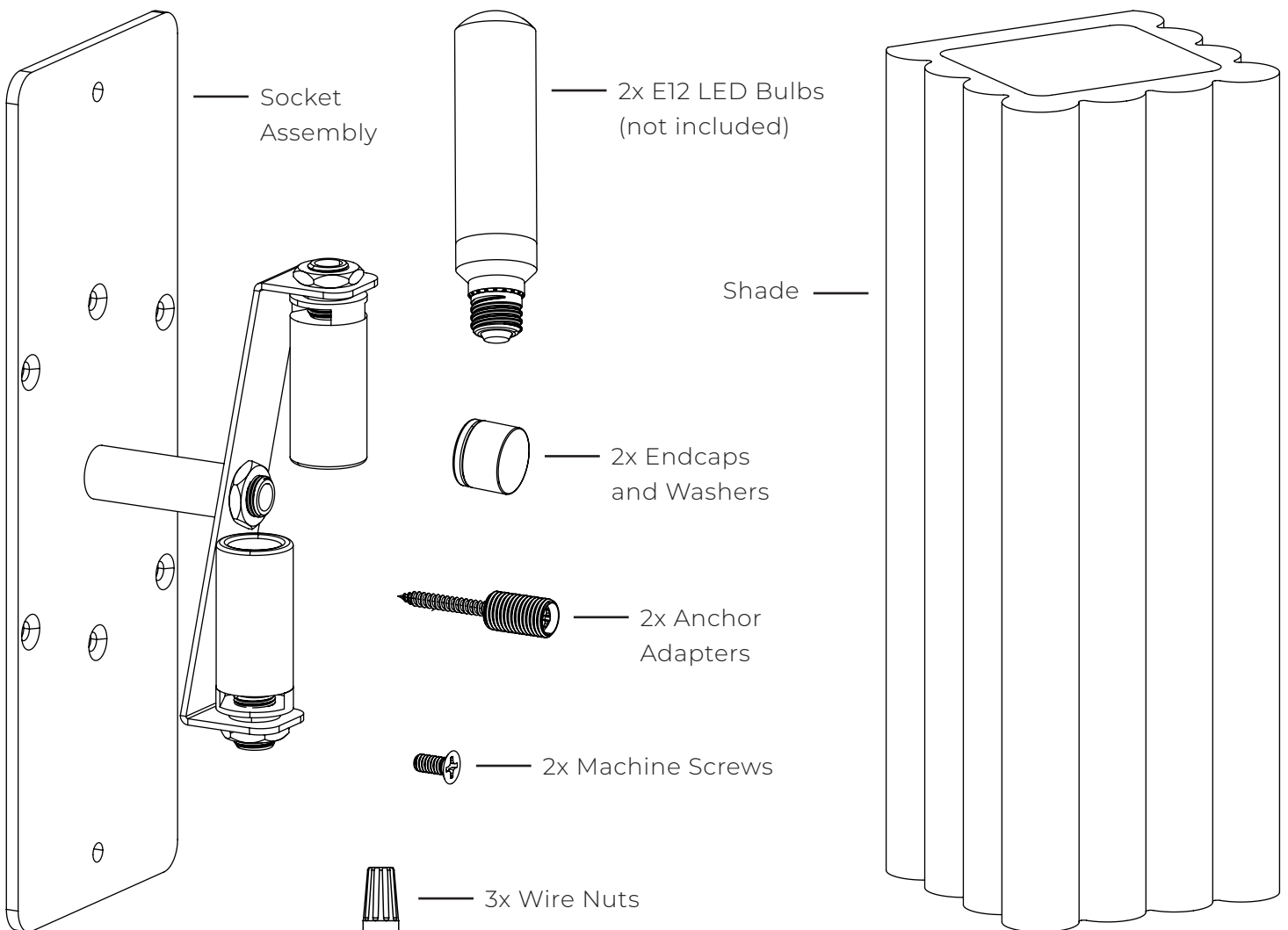


Ellis Wall Sconce

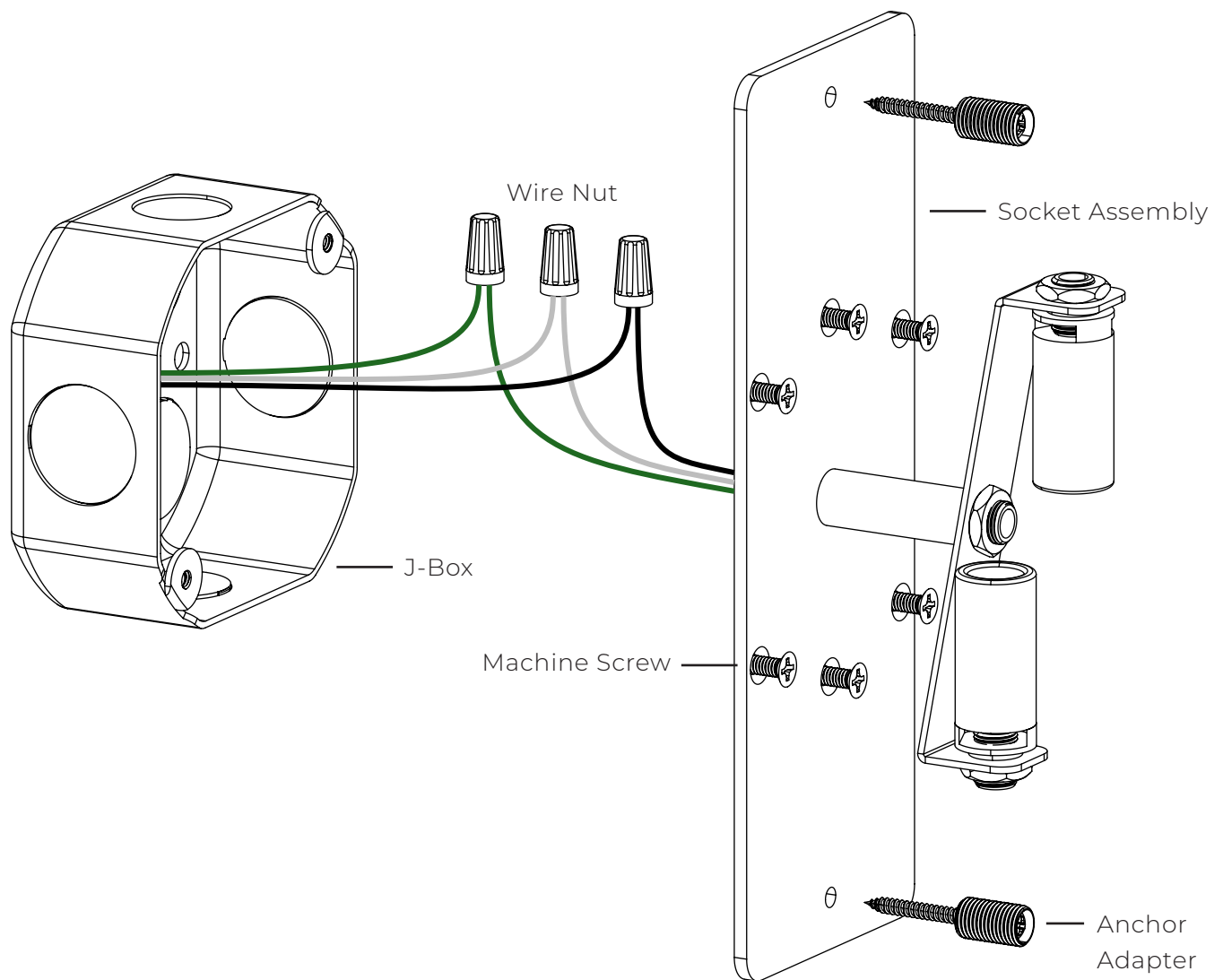


Ellis Wall Sconce Contents

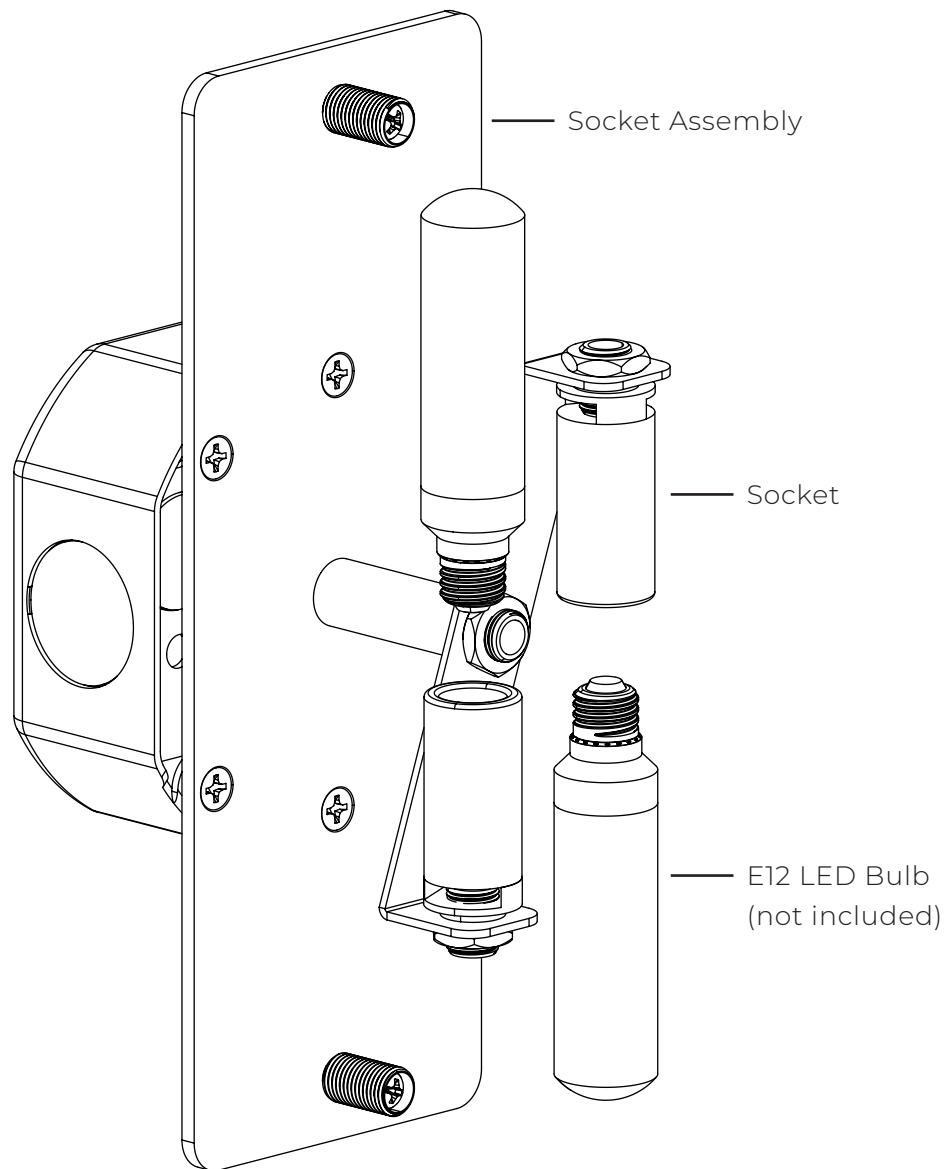
Remove all parts from box onto a clean, soft surface and inspect for defects or damage.



1. Connect the fixture ground wire to the wall ground wire. Connect the +/- fixture wires to the +/- wall wires.
2. Attach the socket assembly to the j-box using whichever 2x machine screws align with the j-box mounting holes. Make sure to tuck the wires and wire nuts inside the j-box.
3. Attach the 2x anchor adapters to the wall on top and bottom, reinforcing the socket assembly.



4. Thread the 2x E12 LED bulbs (not included) into the 2x sockets.



5. Slide the shade over the socket assembly.

6. From the top and the bottom, thread the 2x endcaps and washers onto the 2x anchor adapters to fix the shade in place.

