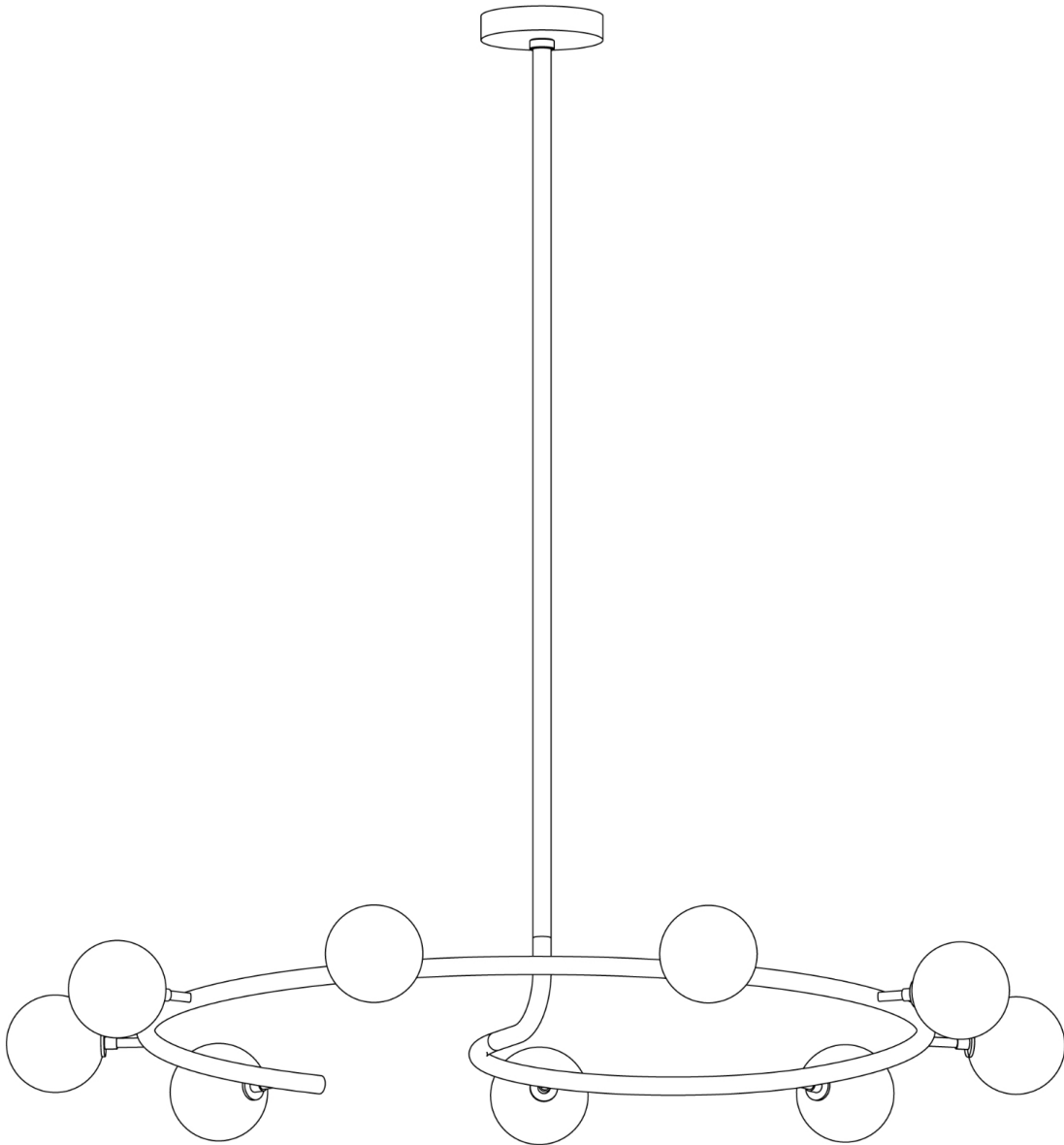


Fibonacci

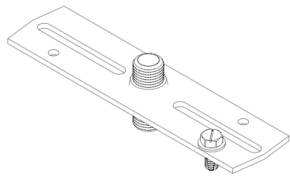


— 2 people needed for installation

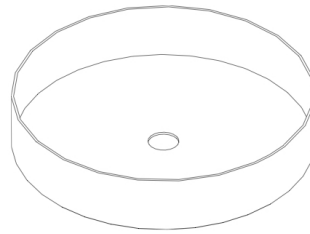
LED Lamping Style G9
NOT INCLUDED



Contents



— crossbar

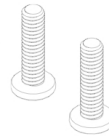


— canopy

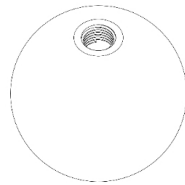
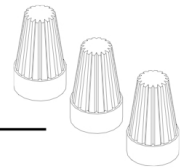


— slip ring

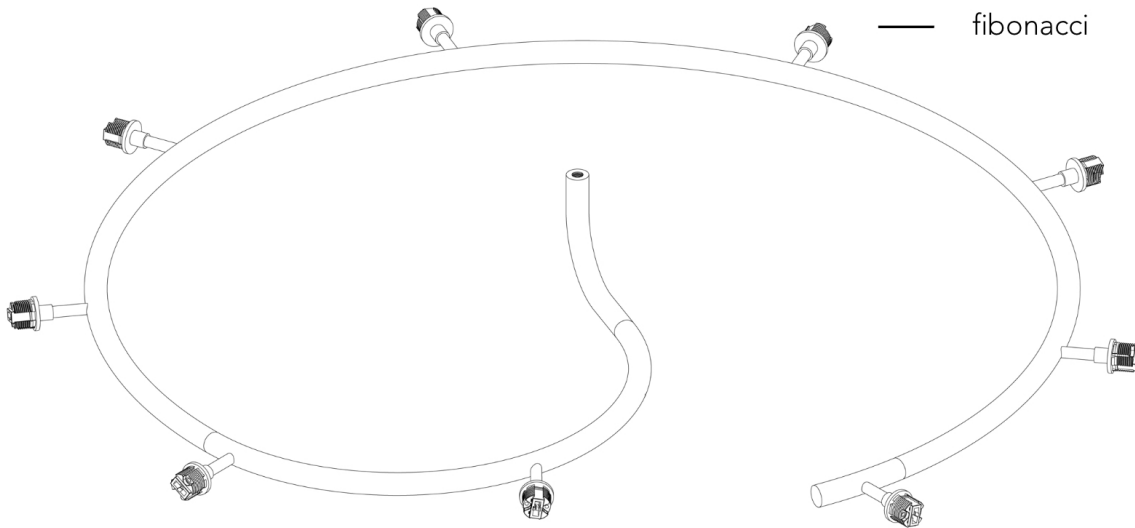
2x #8-32 screws —



3x wire nuts —



— 9x glass shades

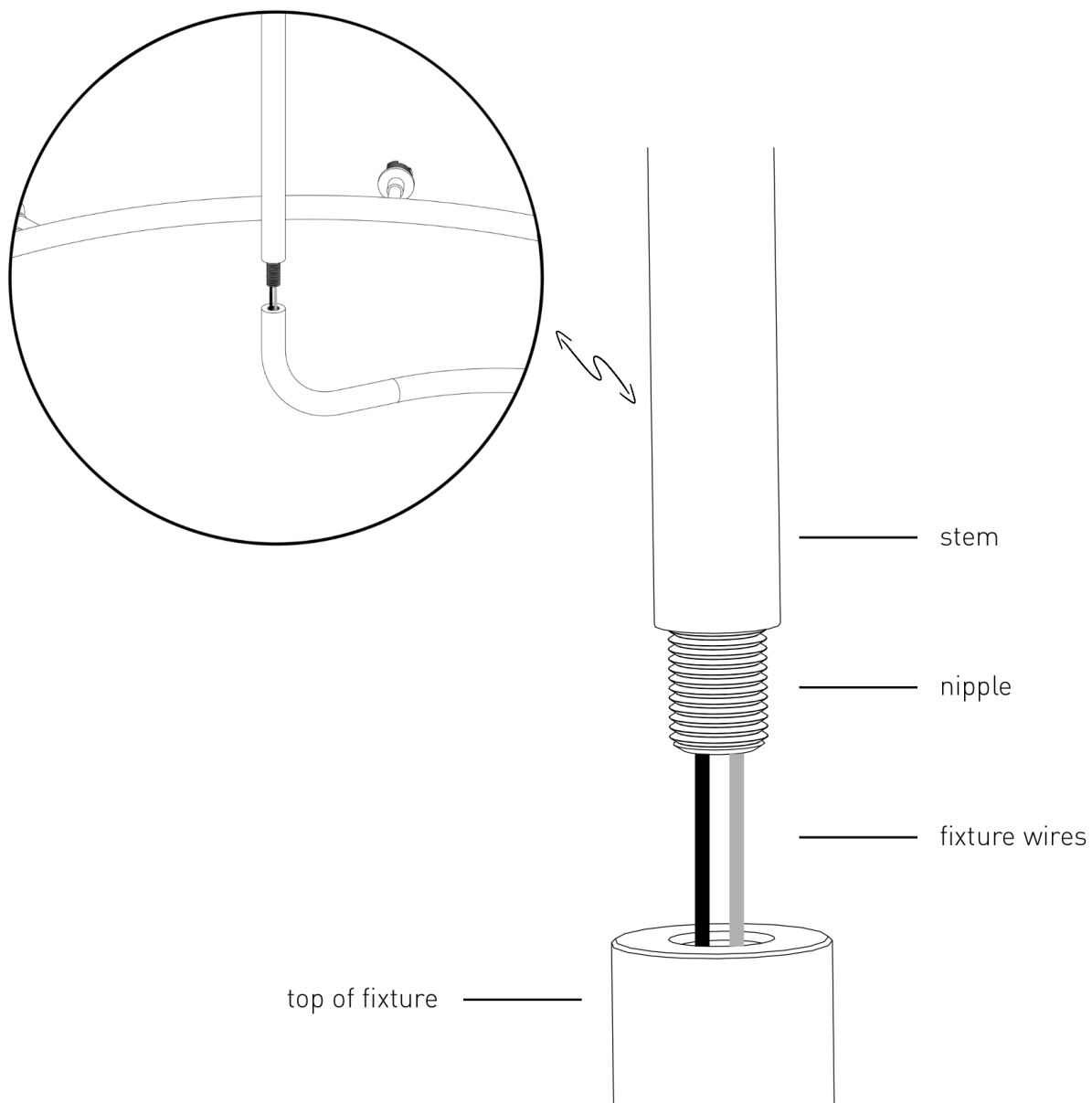


— fibonacci

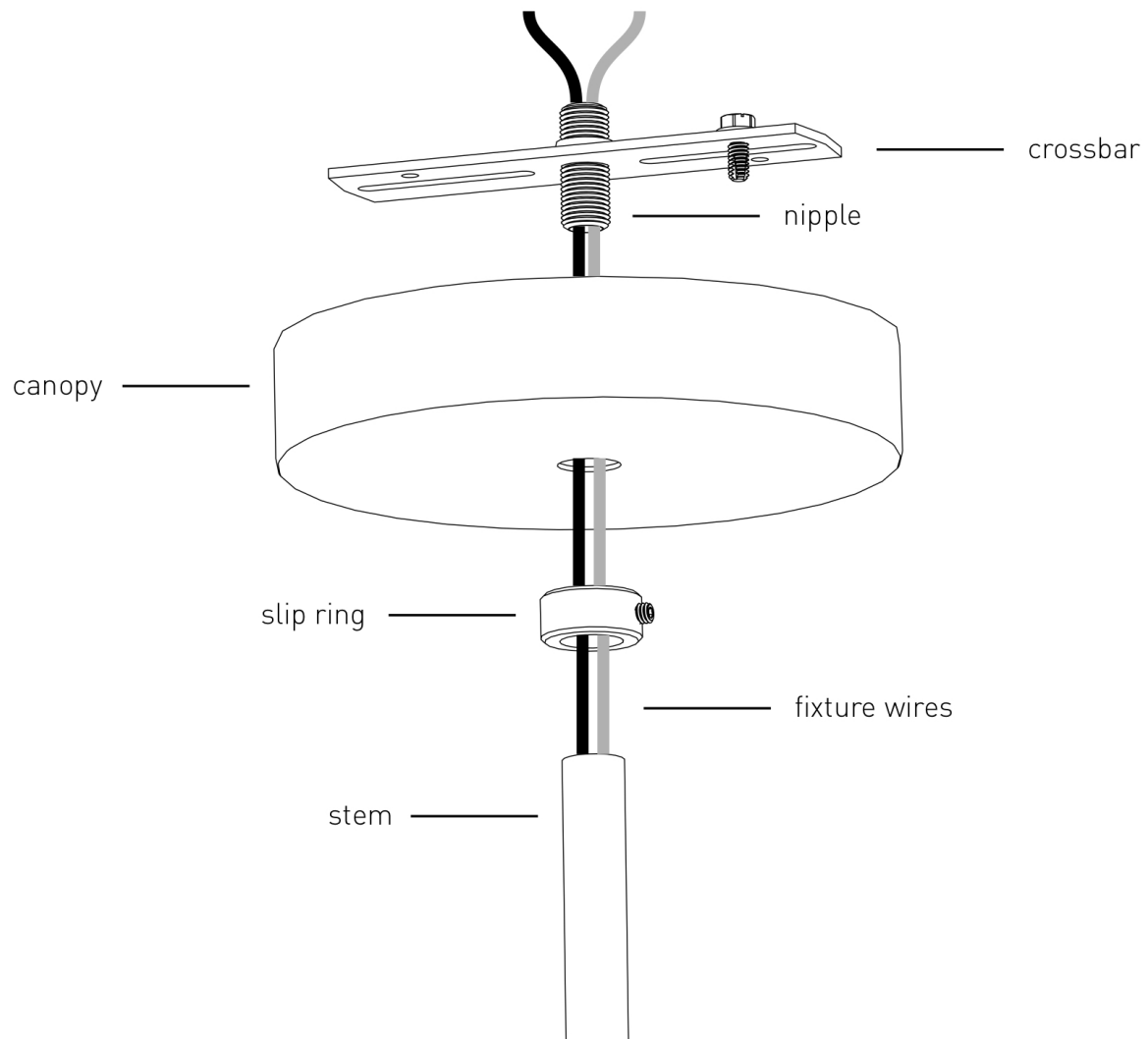
stem —



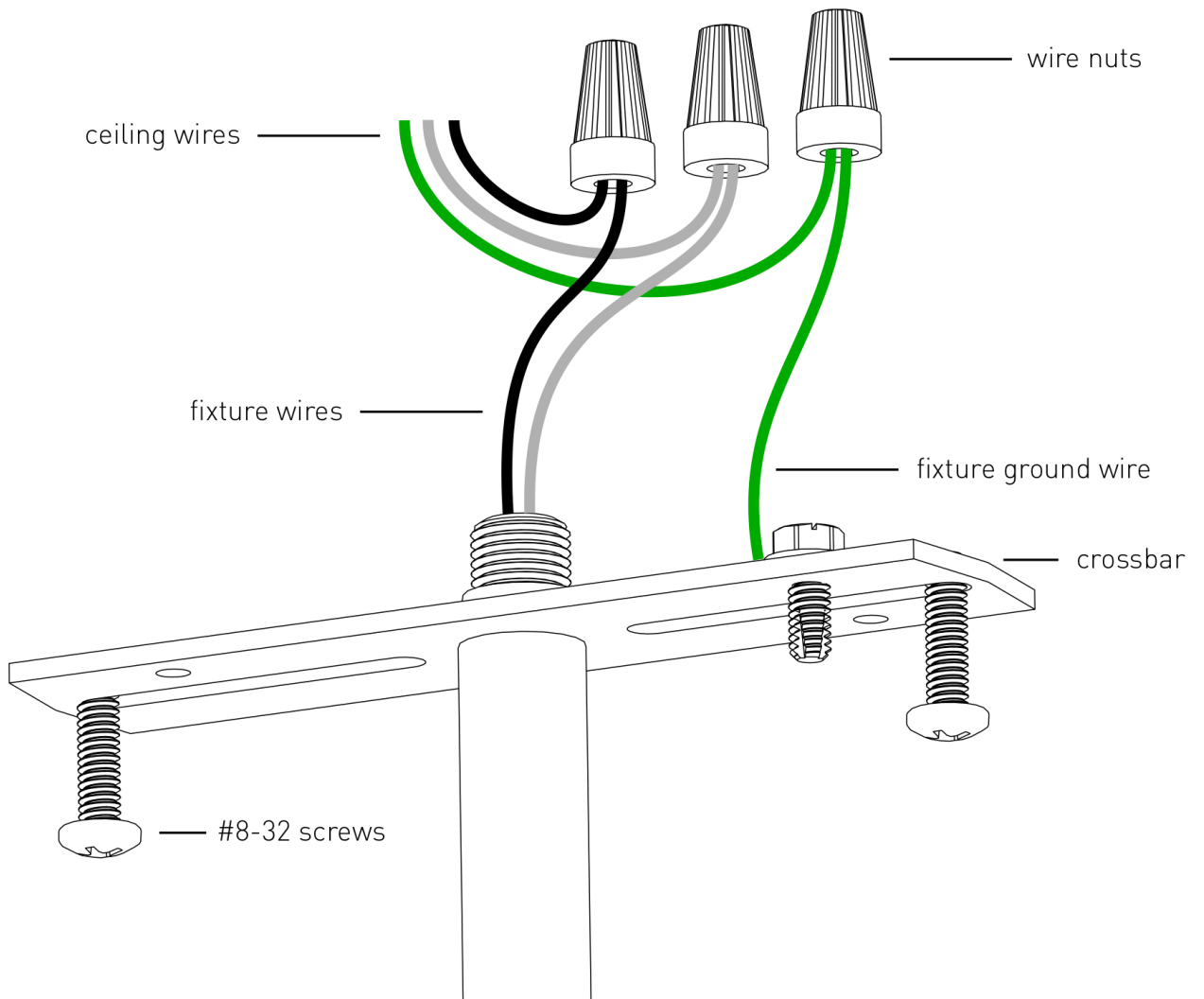
1. Screw the stem - nipple assembly into the top of the fixture until the stem is flush.



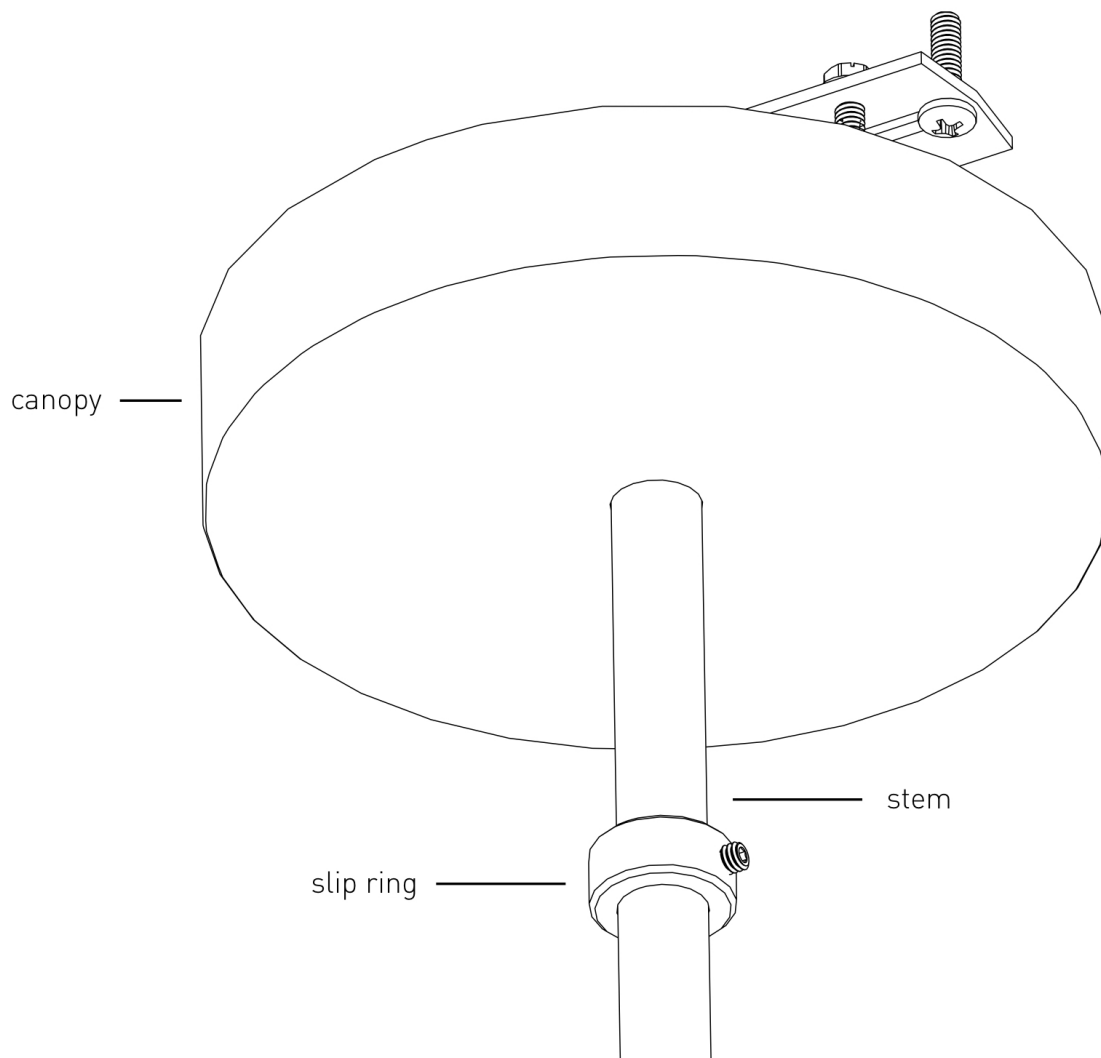
2. Slide the slip ring and canopy down over the stem, resting them on the top of the fixture below. Make sure the slip ring set screw is slightly loosened to not scratch the stem as it is lowered.
3. Feed the fixture wires through the crossbar-nipple assembly. Thread the crossbar-nipple assembly into the top of the stem until the stem and crossbar are flush.



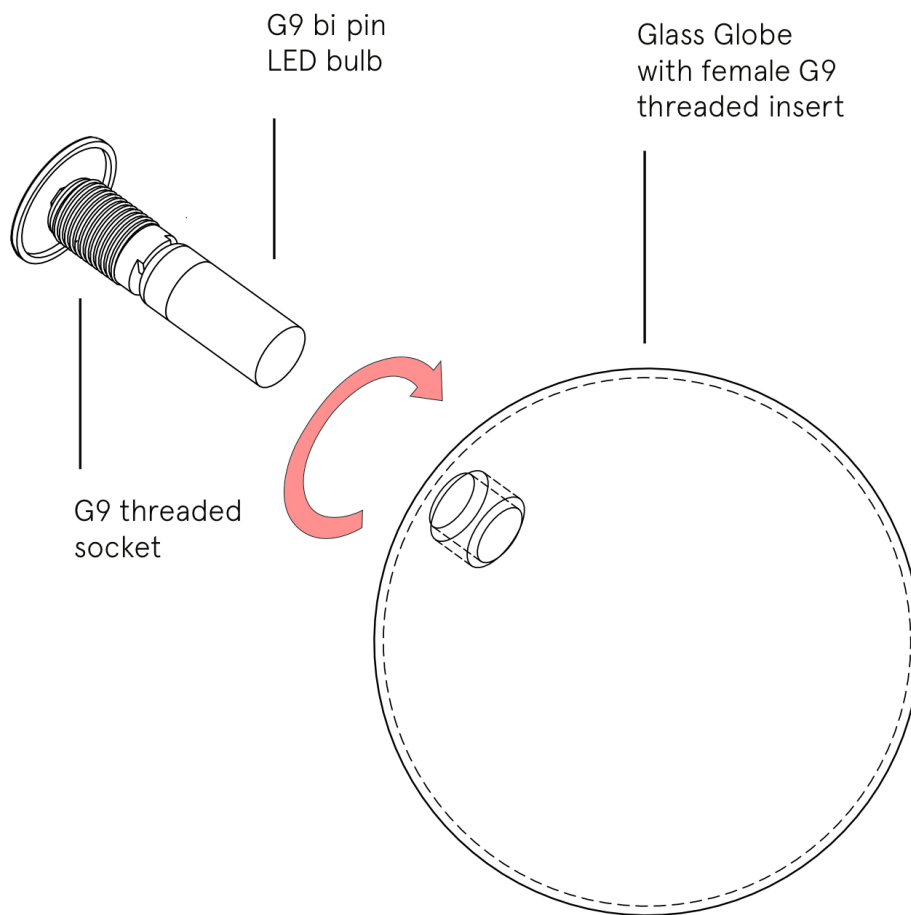
4. Using 2 or more people, lift up the fixture close to the ceiling and connect the fixture ground wire to the ceiling ground wire.
5. Mount the crossbar to the junction box using the x2 provided #8-32 screws.
6. Connect the +/- fixture wires to the +/- ceiling wires.



7. Raise the canopy and slip ring up until the canopy is flush to the ceiling. Tighten the slip ring set screw to lock the slip ring and canopy in place.



8. Insert G9 bi pin LED bulbs into the socket and then install the glass globes by threading them onto the G9 threaded sockets.



9. In order to ensure that the fixture is level, have person 1 hold the fibonacci body steady while person 2 tightens the 1/4 - 20 set screw using a 7 - 62 allen key.

