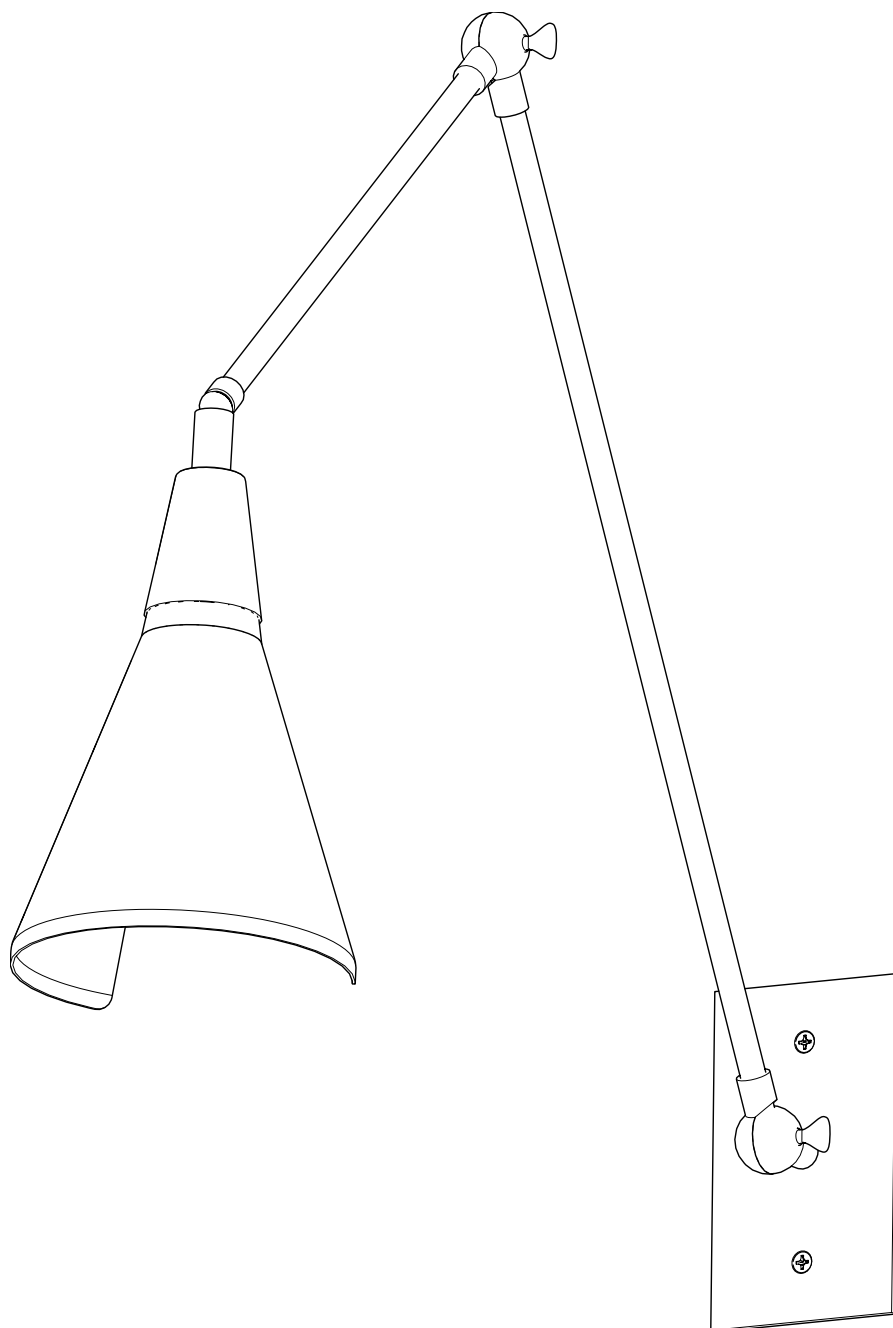
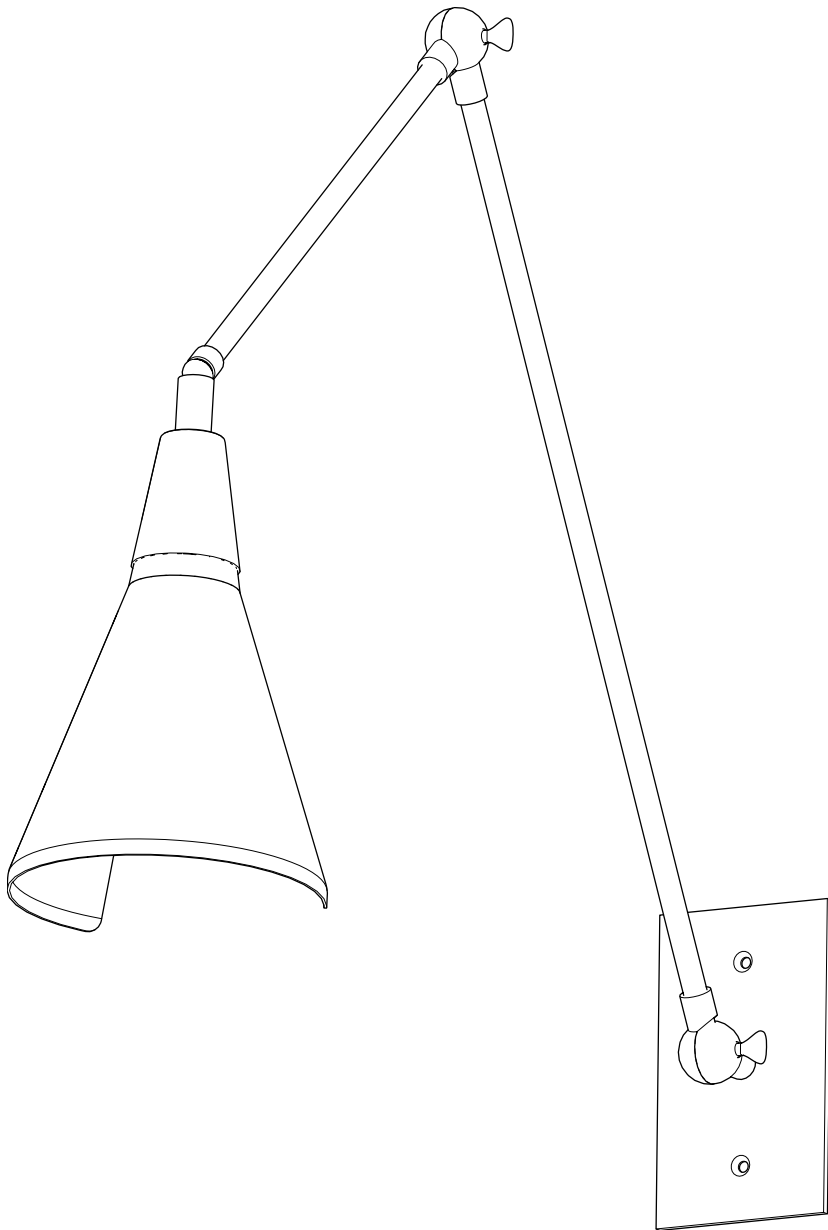


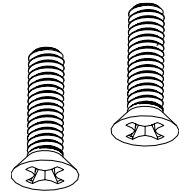
Magari



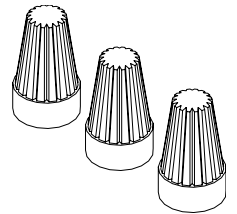
Contents



2x #8-32 screws



3x wire nuts



— Magari Sconce

1. Hold the fixture backplate close to the wall and connect the fixture ground wire to the wall ground wire.

2. Connect the +/- fixture wires to the +/- wall wires.

3. Mount the fixture backplate directly to the junction box using the x2 provided #8-32 screws.

** The backplate must be mounted to a junction box with a vertical hole spacing of 3.25" as shown.*

