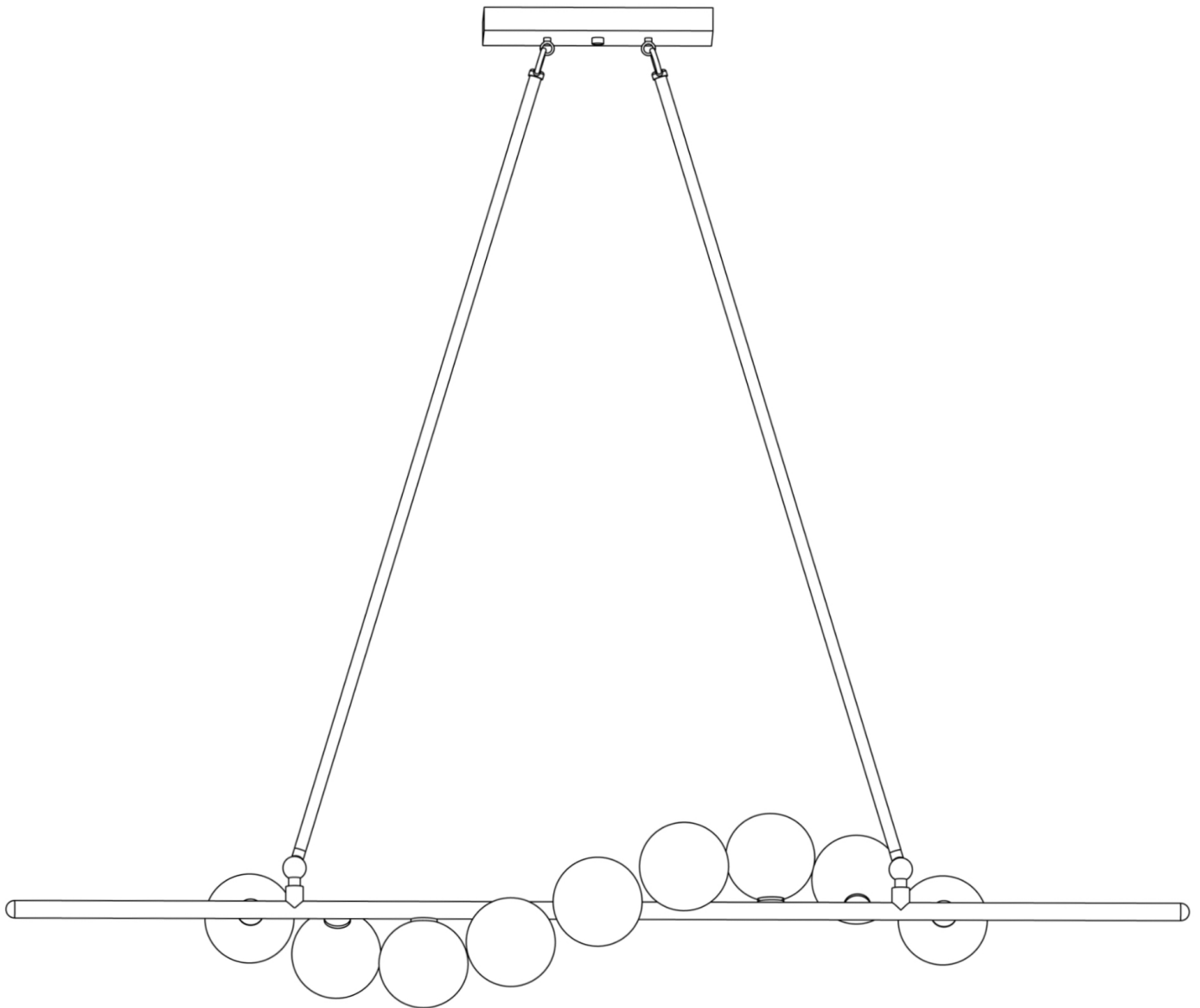


Nautilus

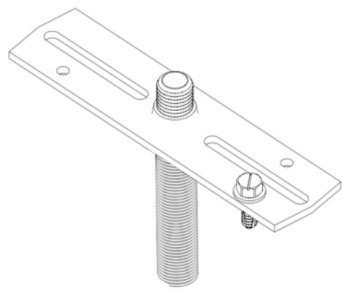


— 2 people needed for installation

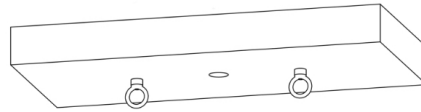
LED Lamping Style G9
NOT INCLUDED



Contents



— crossbar

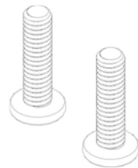


— canopy

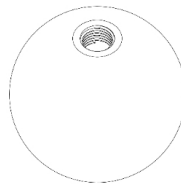


— end cap

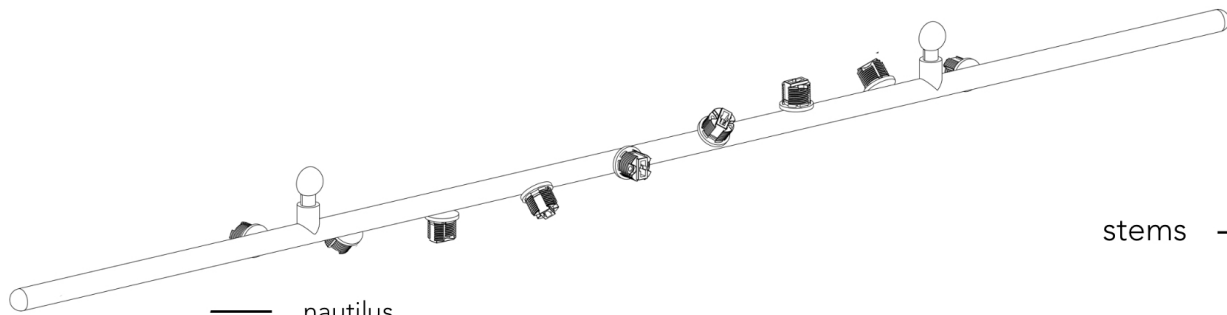
2x #8-32 screws



3x wire nuts

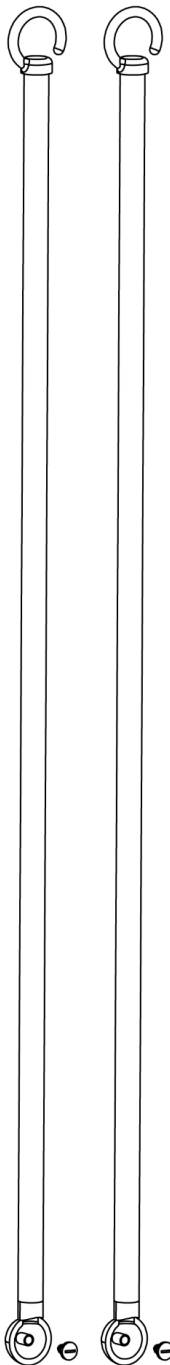


— shade

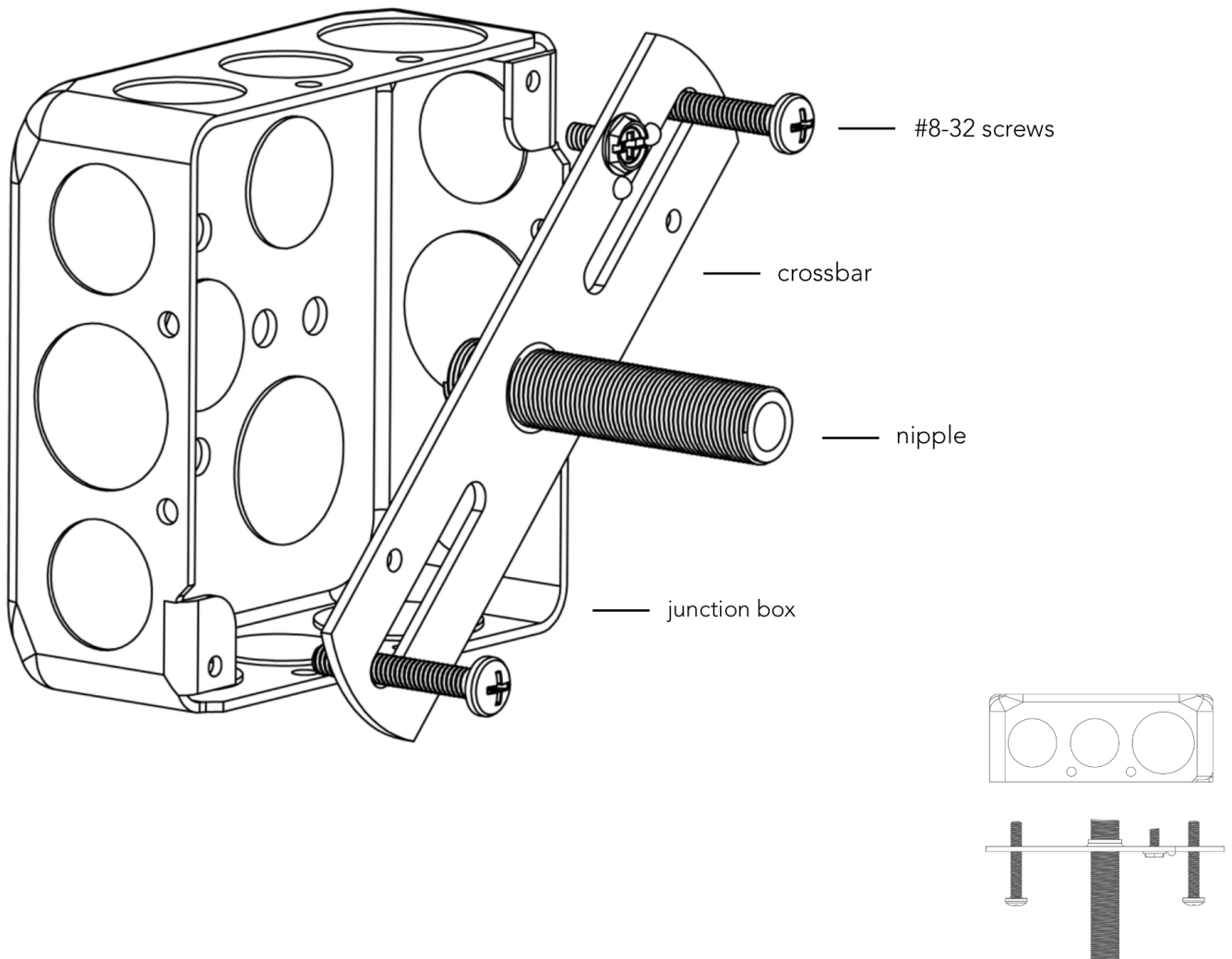


— nautilus

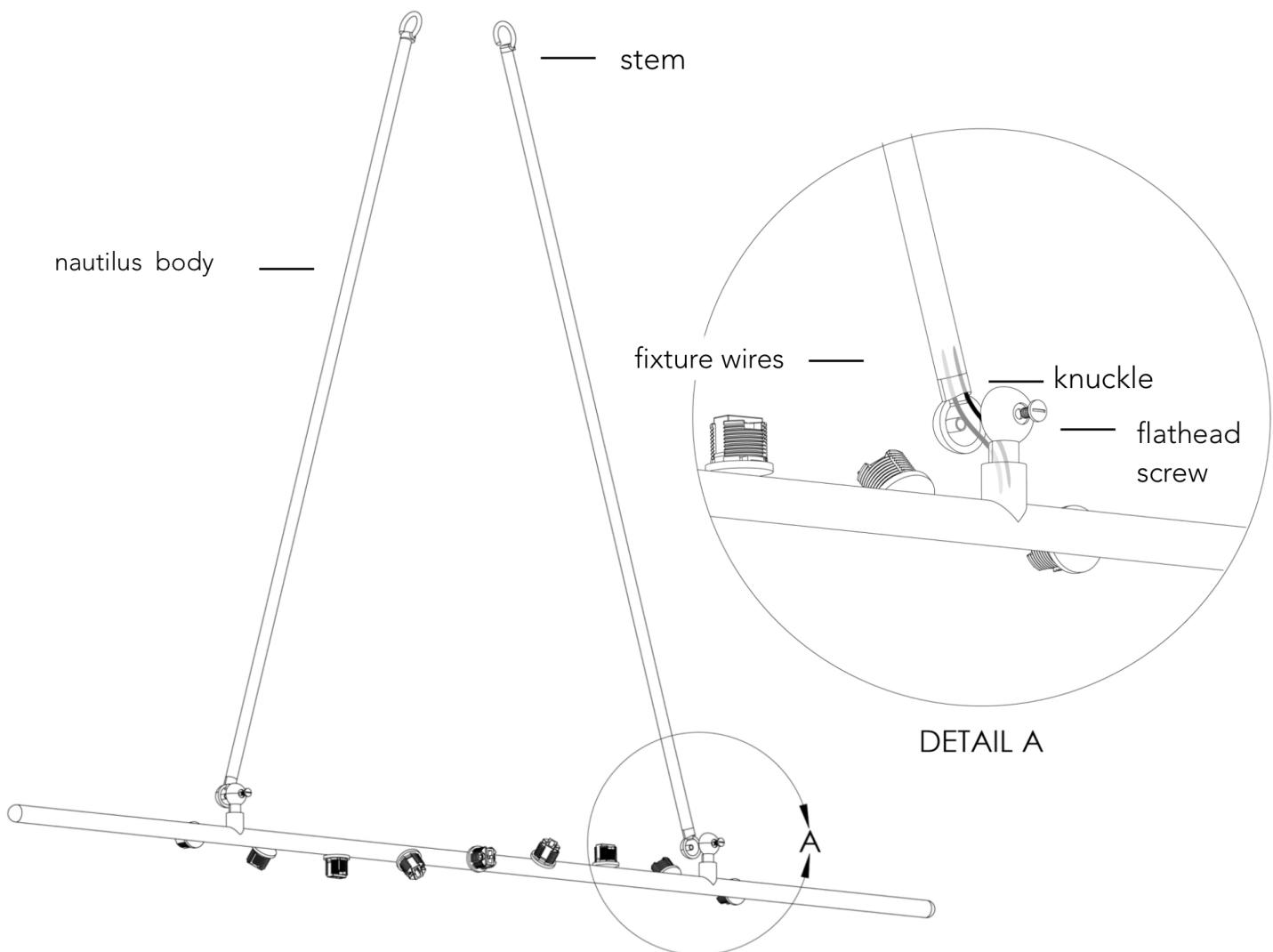
stems —



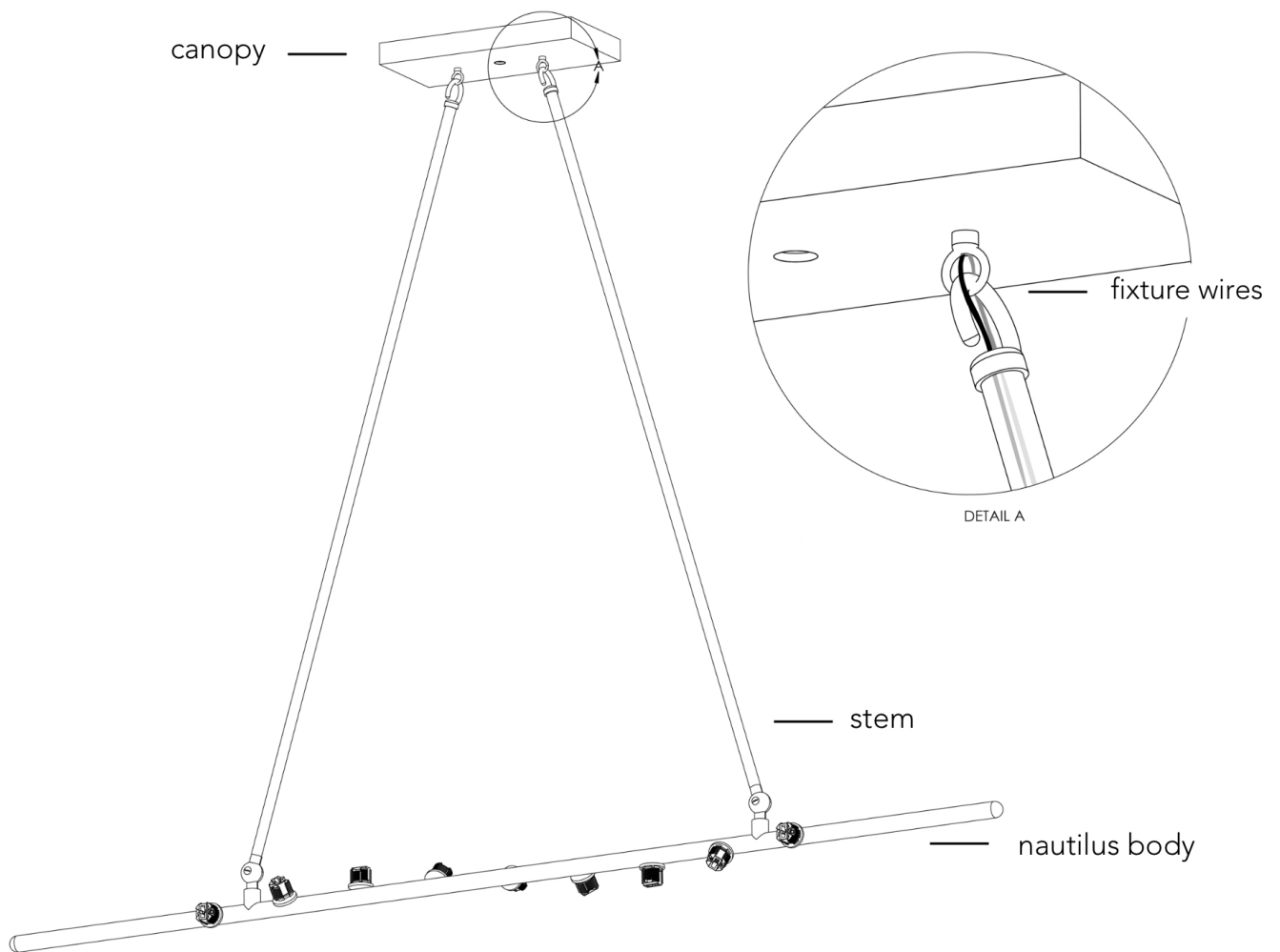
1. Mount the crossbar with the nipple attached to the junction box using the provided #8-32 screws.



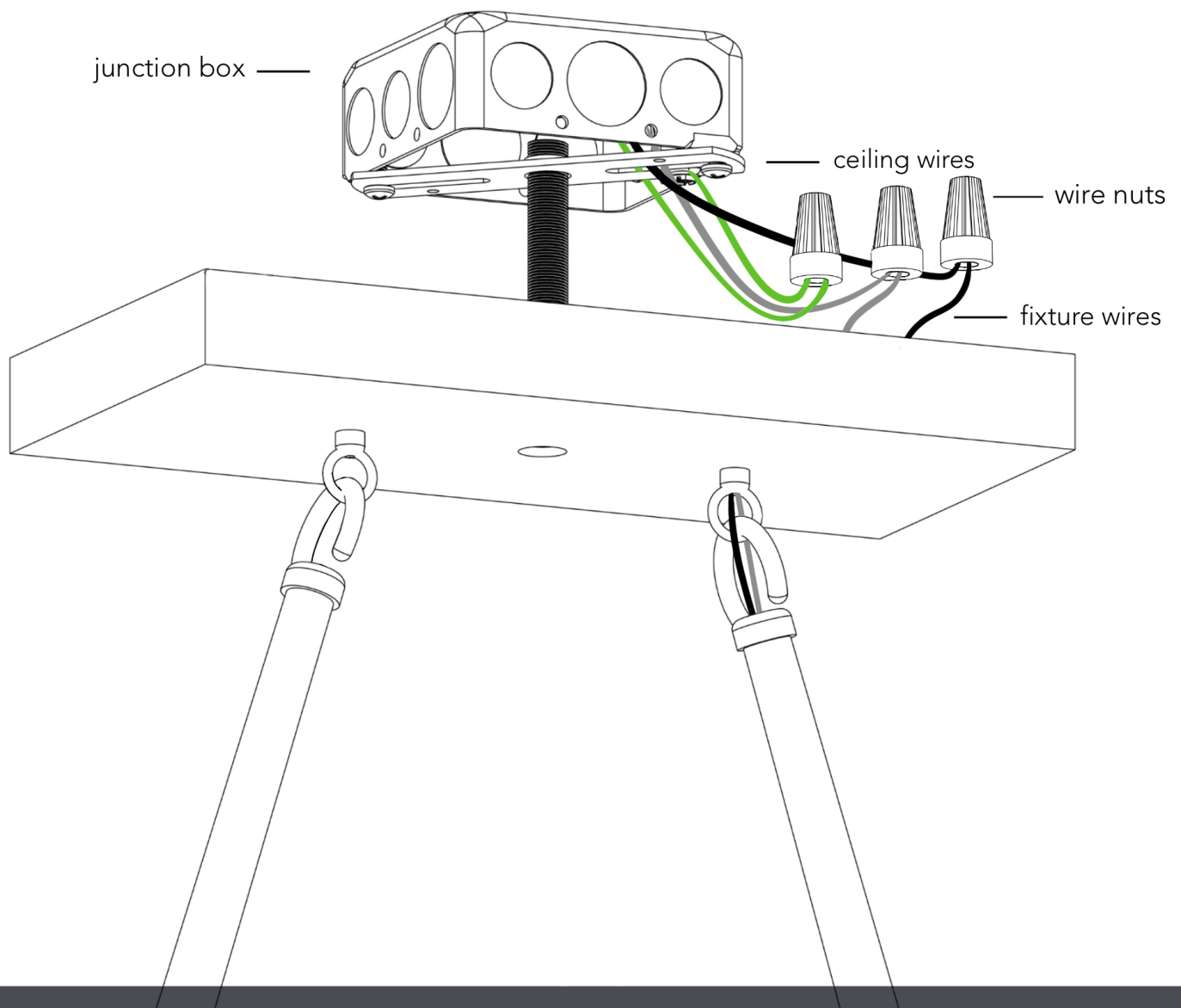
2. Connect the stems to the nautilus body by screwing both halves of the knuckle together using the flat head screw provided.
3. Be sure to position wires around the screw when tightening so they do not get pinched.



4. Person 1 will hold the canopy while person 2 holds the calyx body.
5. Take the fixture wires that are coming out of the hook on the stem and thread them through the hole in the loop on the canopy.
6. Hook both stems onto the canopy.

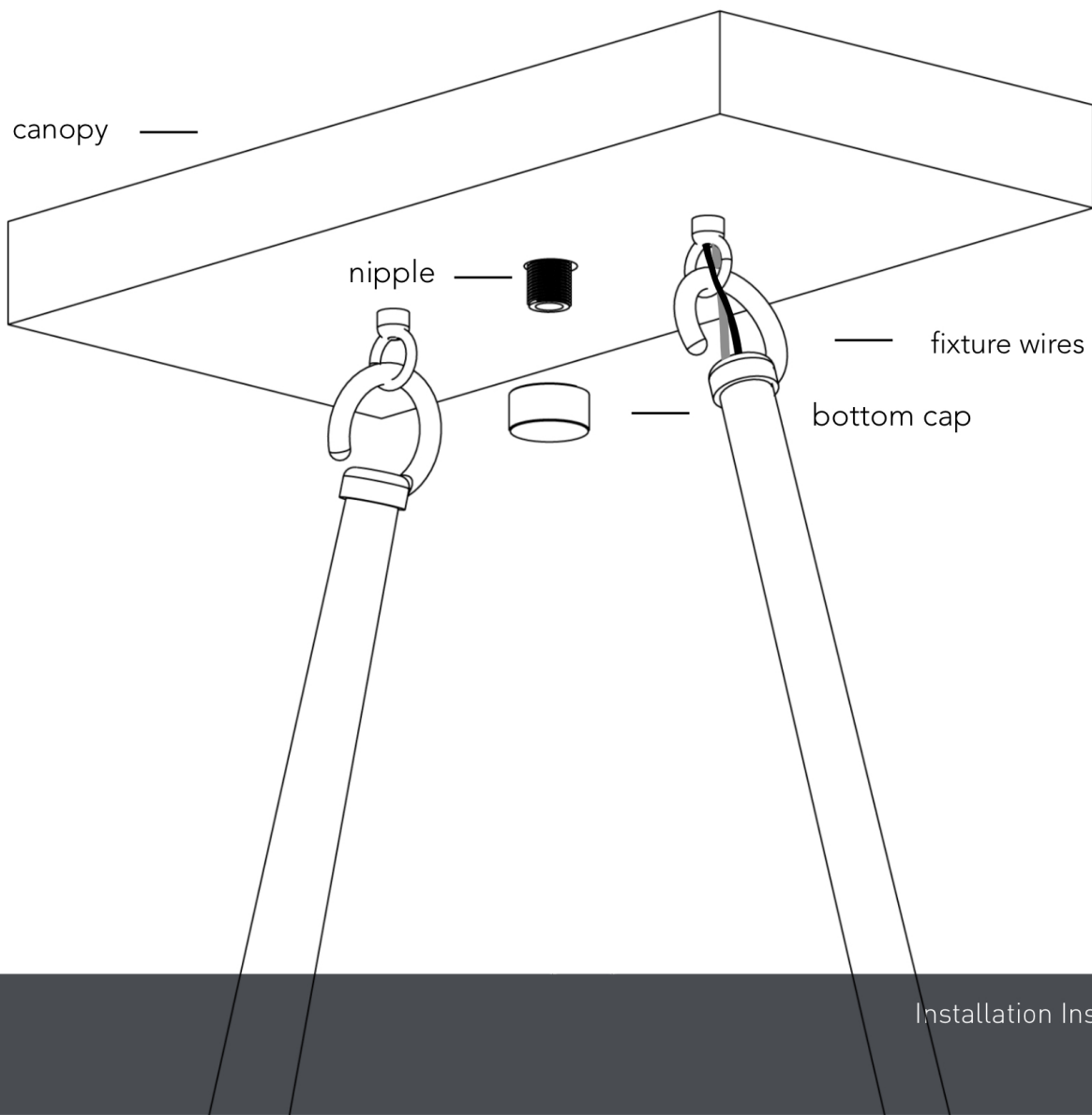


7. Person 1 lifts the fixture by the canopy up to the junction box.
8. Person 2 connects the fixture ground wire to the ceiling ground wire.
9. Person 2 connects the +/- fixture wires to the +/- ceiling wires.



10. Feed the nipple through the canopy until it is exposed at the bottom.

11. Attach the bottom cap to the nipple and tighten until it is flush with the canopy.



12. Attach G9 lamping to all the fixture sockets.

13. Screw the glass shades onto the threaded sockets.

