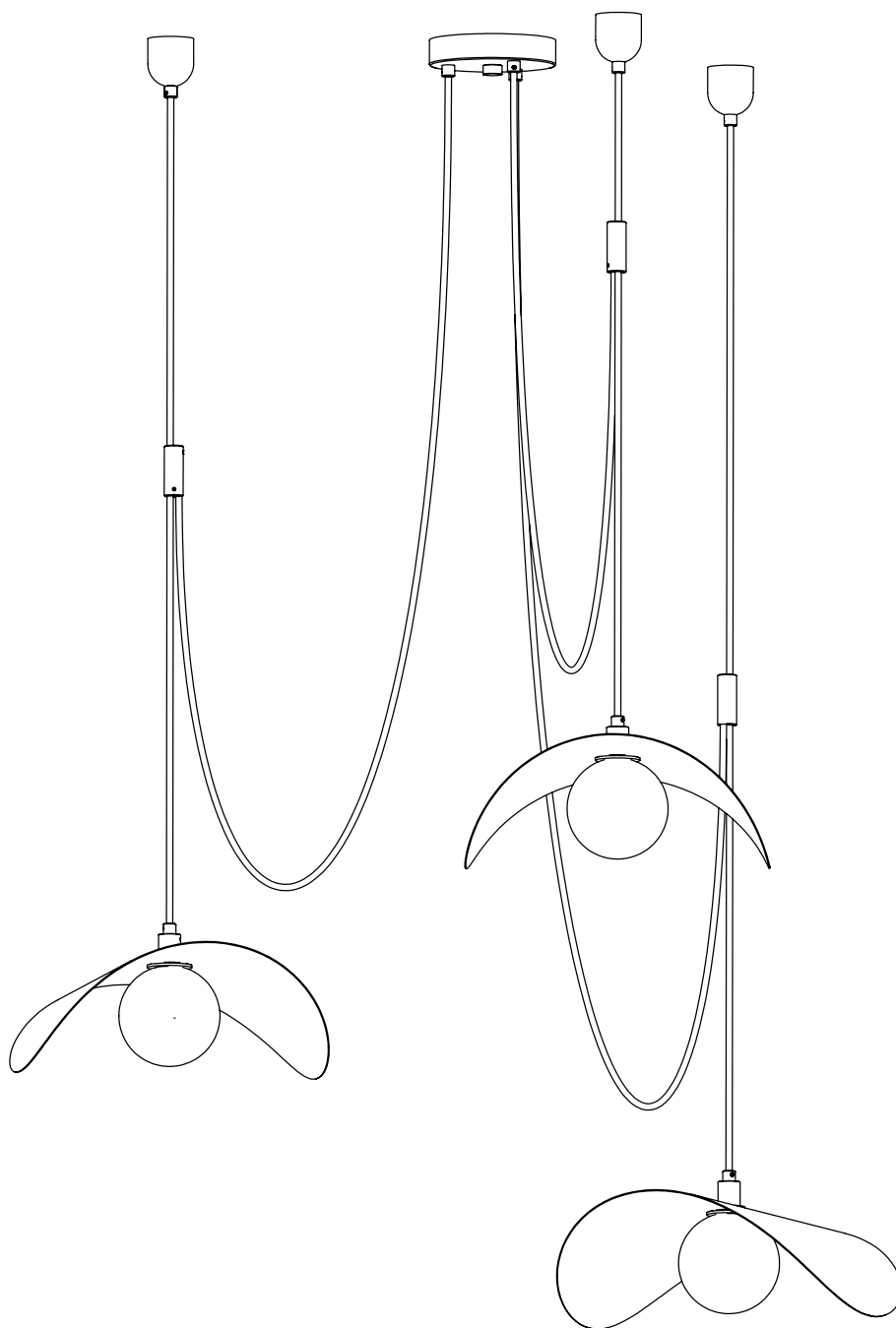


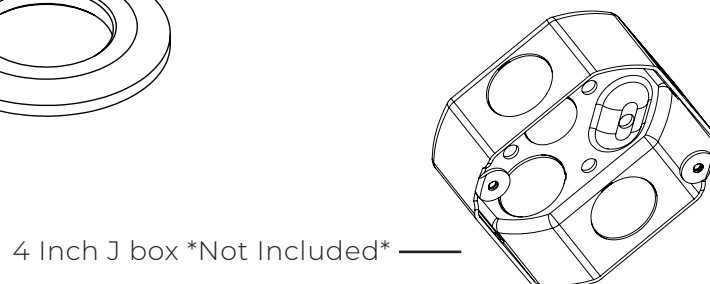
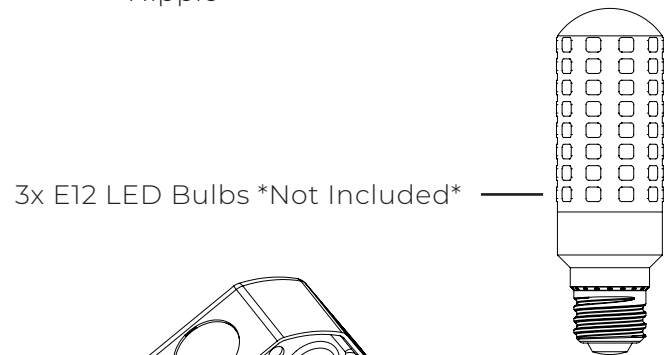
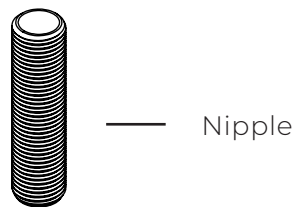
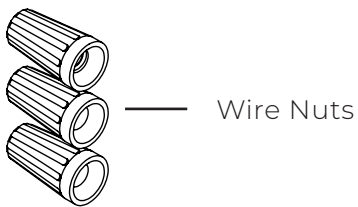
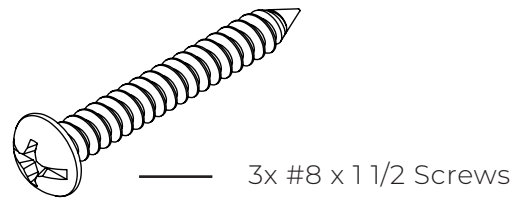
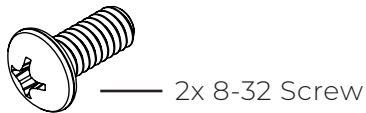
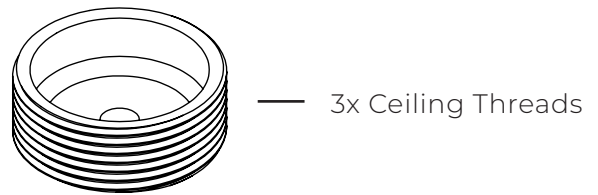
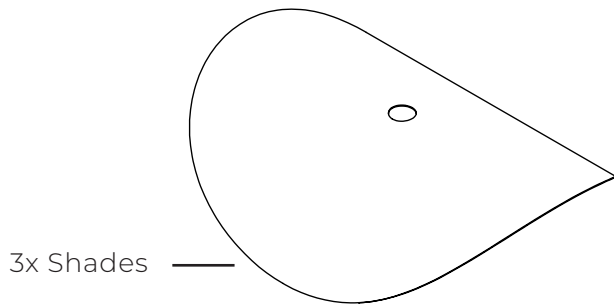
Montera 3

2 People Needed for Install



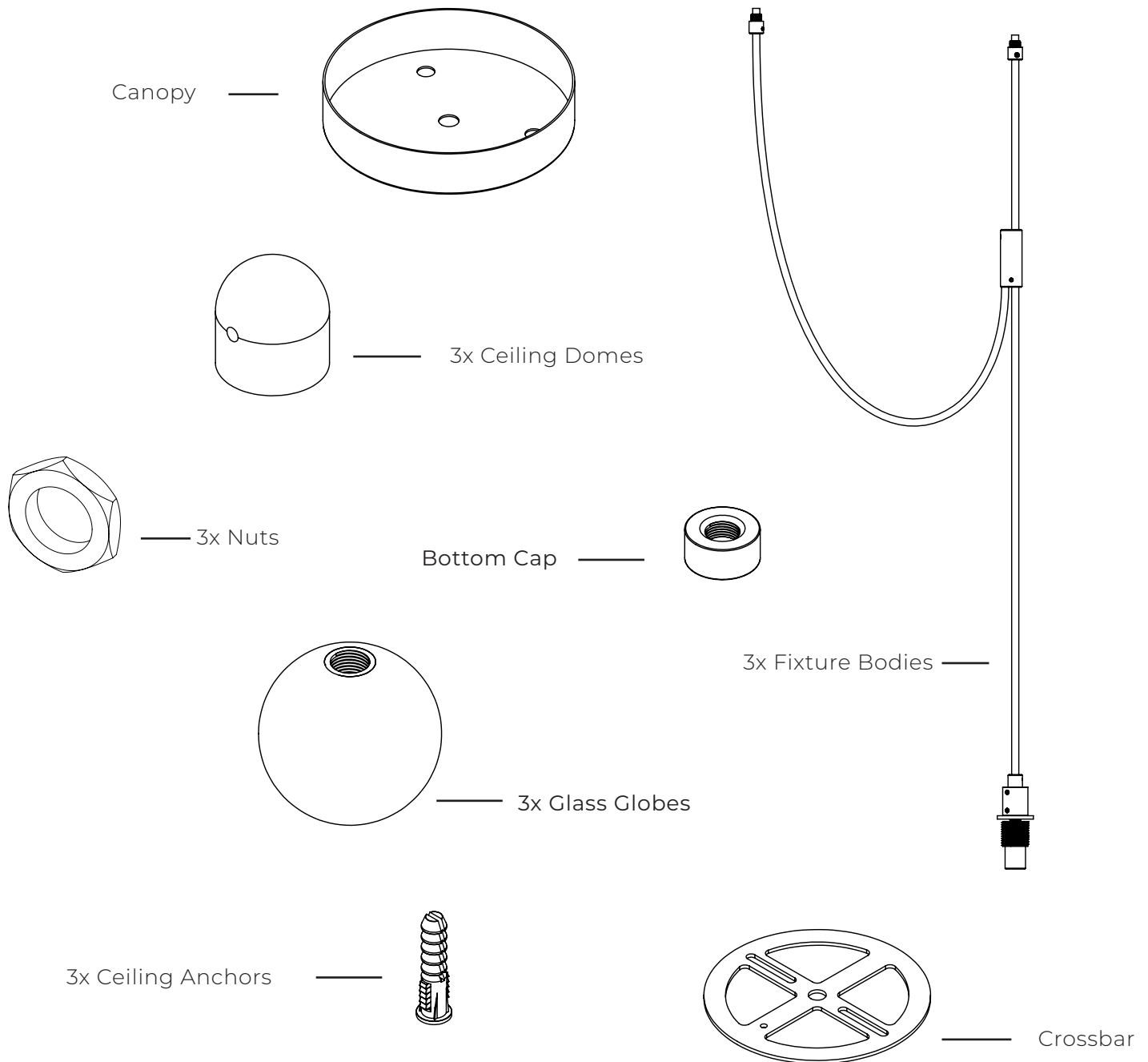
Montera 3 Contents

1. Remove all parts from box onto a clean, soft surface and inspect for defects or damage.

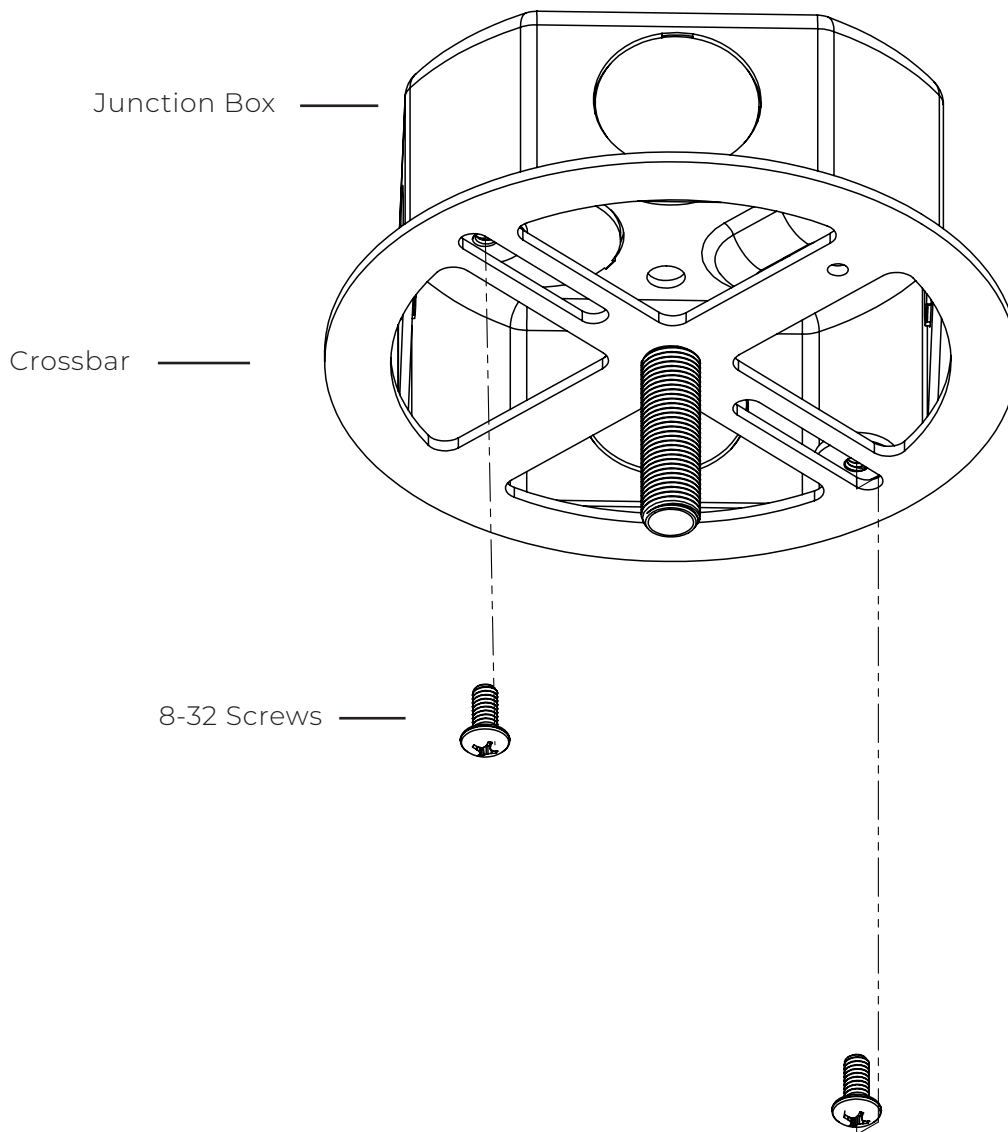


Montera 3 Contents Continued

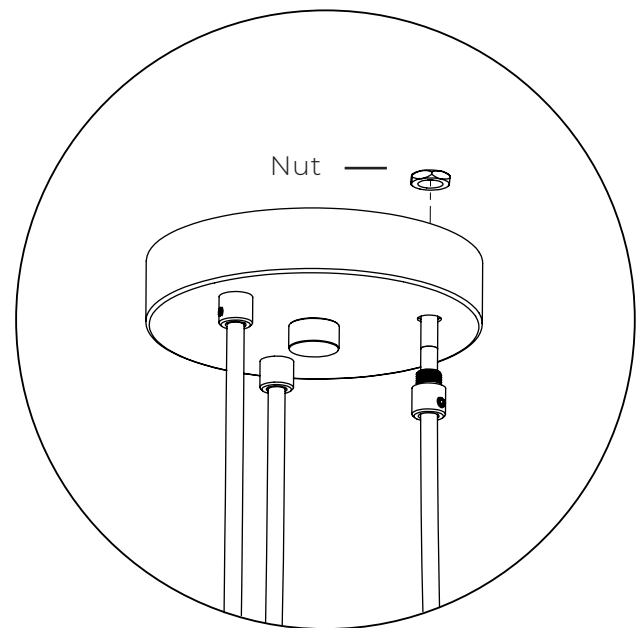
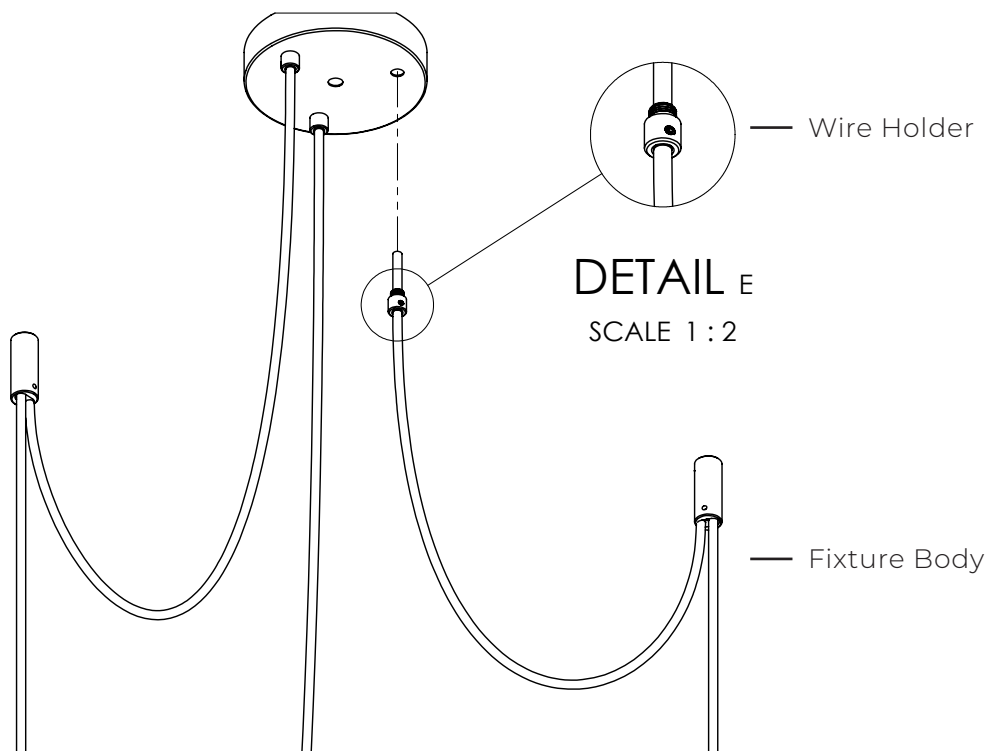
1. Remove all parts from box onto a clean, soft surface and inspect for defects or damage.



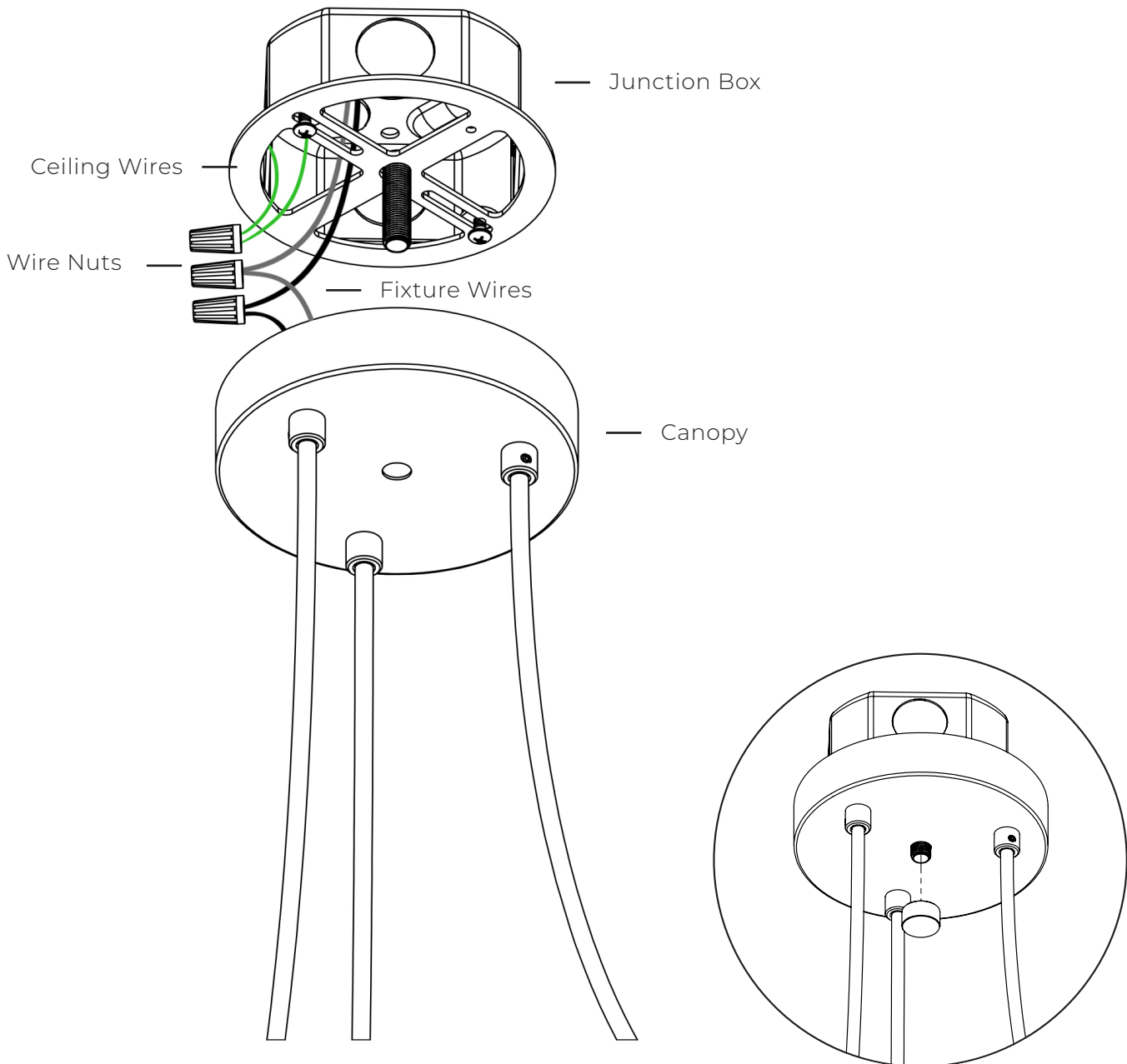
2. Mount the crossbar with the nipple attached to the junction box using the provided #8-32 screws.



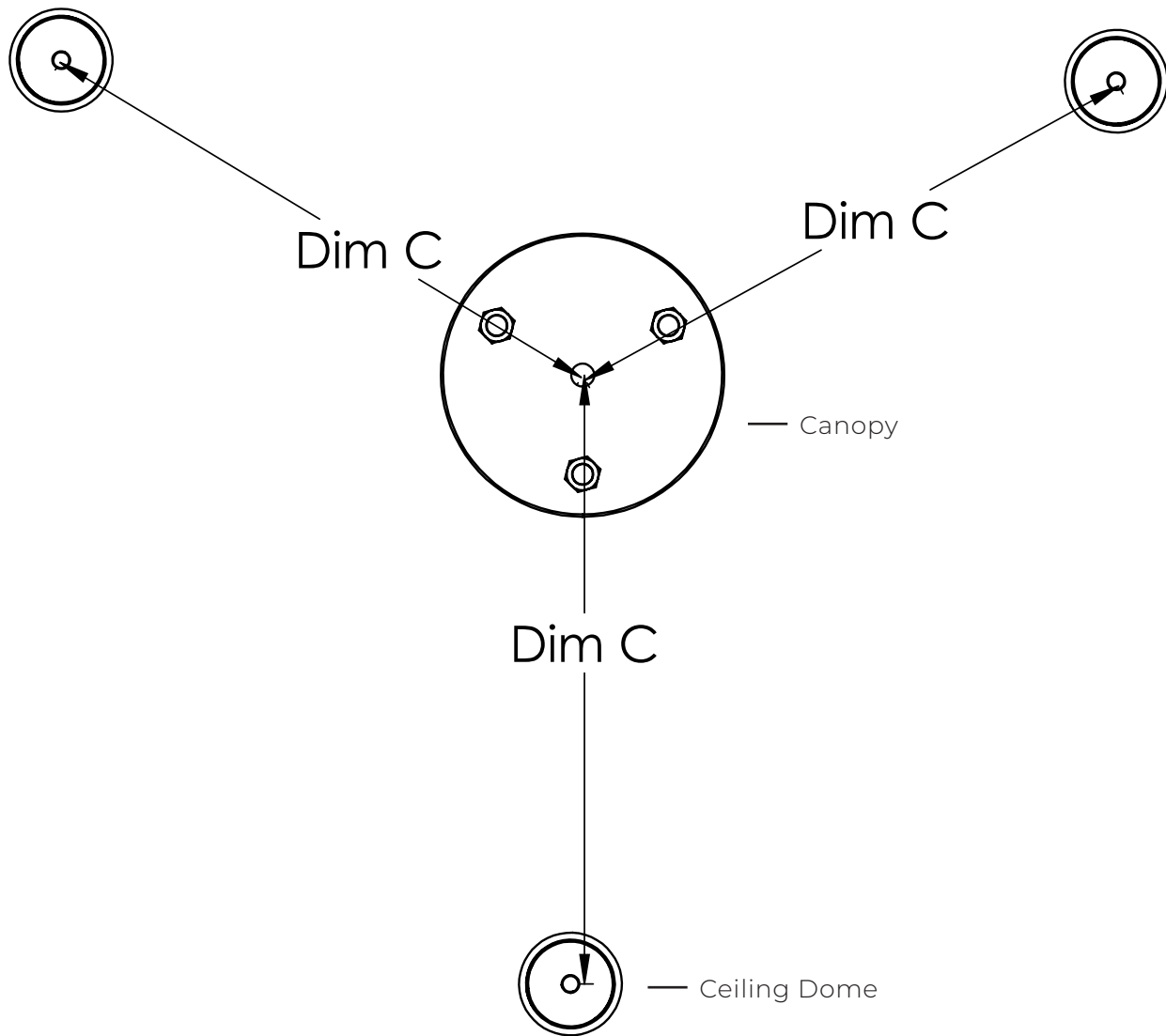
3. Insert the wire holders into the canopy and secure them with the provided nuts. Then, tighten each set screw on the side of the holders to firmly hold the wires in place. Repeat this process for all three fixture bodies.



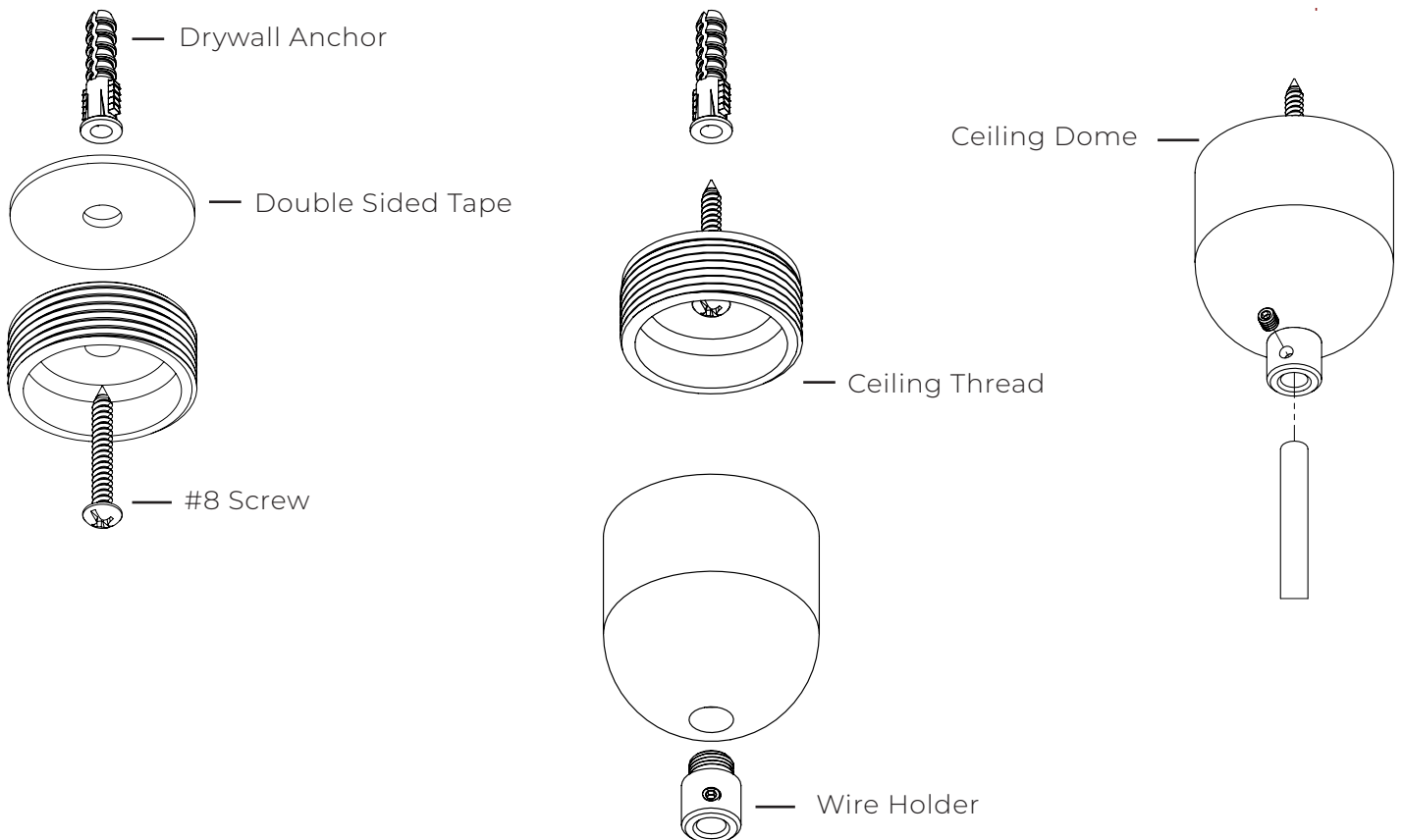
4. Person 1 lifts fixture by canopy up to the junction box. Person 2 connects fixture ground wire to ceiling ground wire, and +/- fixture wires to the +/- ceiling wires. Feed the nipple through the canopy until it is exposed at the bottom, and attach the bottom cap to the nipple and tighten until it is flush with the canopy



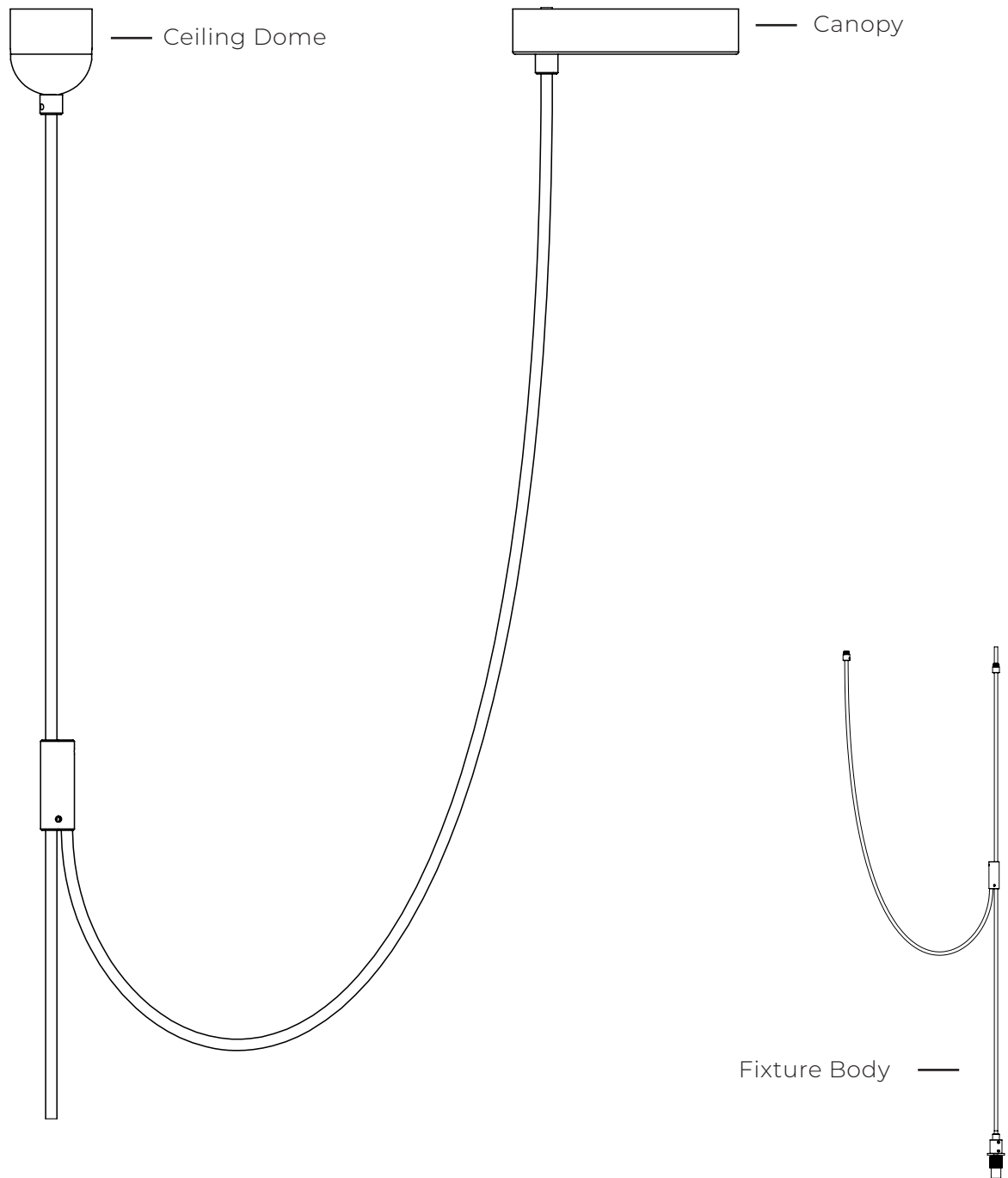
5. Using the image below as a reference, position the domes at your desired locations, making sure they are placed 11-15 inches from the center of the canopy. Use double-sided tape to hold them in place while you adjust to the perfect position.



6. Once you've determined the desired position, use the center holes of the ceiling thread as a guide to drill holes for the drywall anchors. Secure the ceiling thread in place with the provided #8 x 1 1/2 screws, then screw on the ceiling dome. Finally, thread the wire holder into the bottom of the ceiling dome.



7. Once the fixture body and ceiling dome installation is complete, it should match the image below. Repeat the process for the remaining fixture body assemblies.



8. Slide the shade onto the socket and secure it in place using the fastening ring. Next, insert the E12 LED bulb into the socket, then carefully screw the glass globes onto the E12-threaded socket. Avoid over-tightening. Repeat the process for each shade until all are fully assembled.

