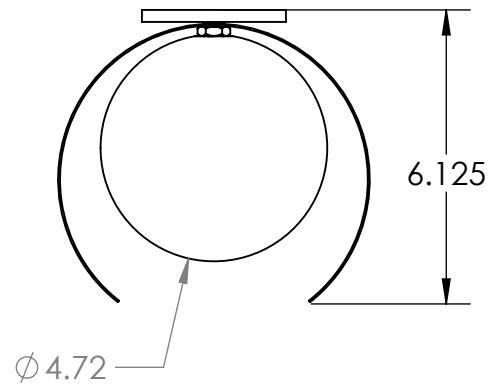


4

3

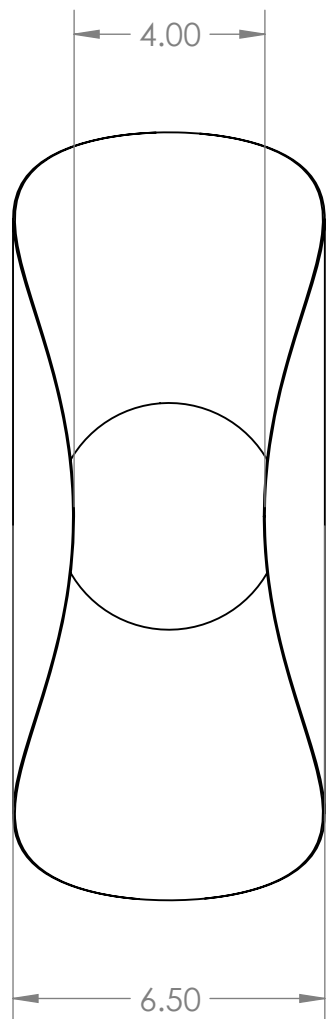
2

1



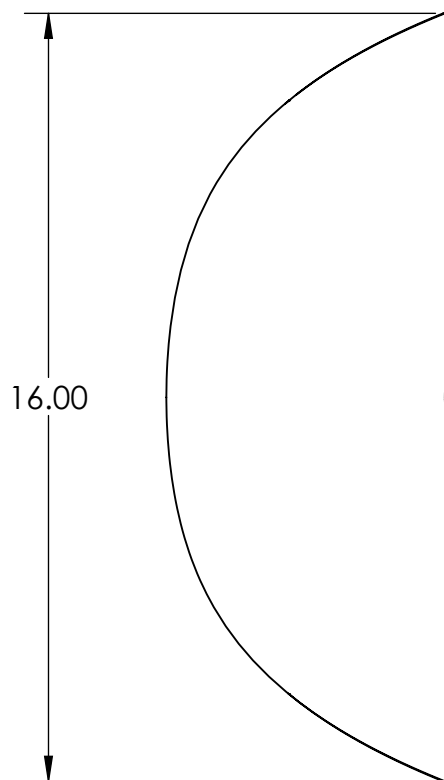
B

B



A

A



Blueprint Lighting

DIMENSIONS ARE IN INCHES

<u>WEIGHT</u>	<u>MIN/MAX DIM.</u>	<u>BACKPLATE</u>	<u>FIXTURE</u>
N/A	N/A	3" X 5.25"	Perla Wall Sconce
<u>LAMPING</u>			<u>FINISH</u>
(1x) G9 socket - 60w per socket UL Listed			TBD

PROPRIETARY AND CONFIDENTIAL- THE INFORMATION CONTAINED IN THIS DRAWING IS THE SOLE PROPERTY OF BLUEPRINT LIGHTING. ANY REPRODUCTION IN PART OR AS A WHOLE WITHOUT THE WRITTEN PERMISSION OF BLUEPRINT LIGHTING IS PROHIBITED.

4

3

2

1