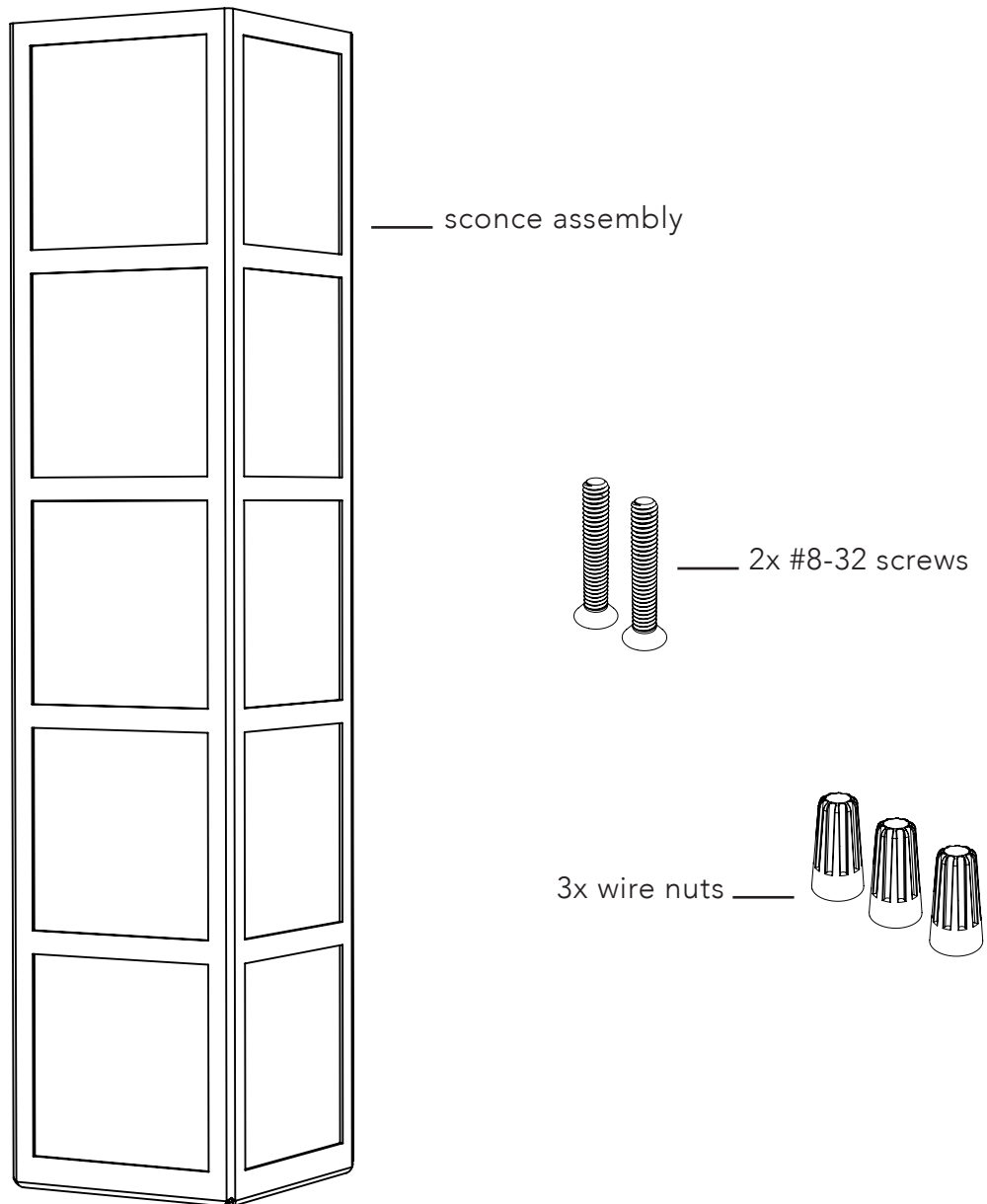


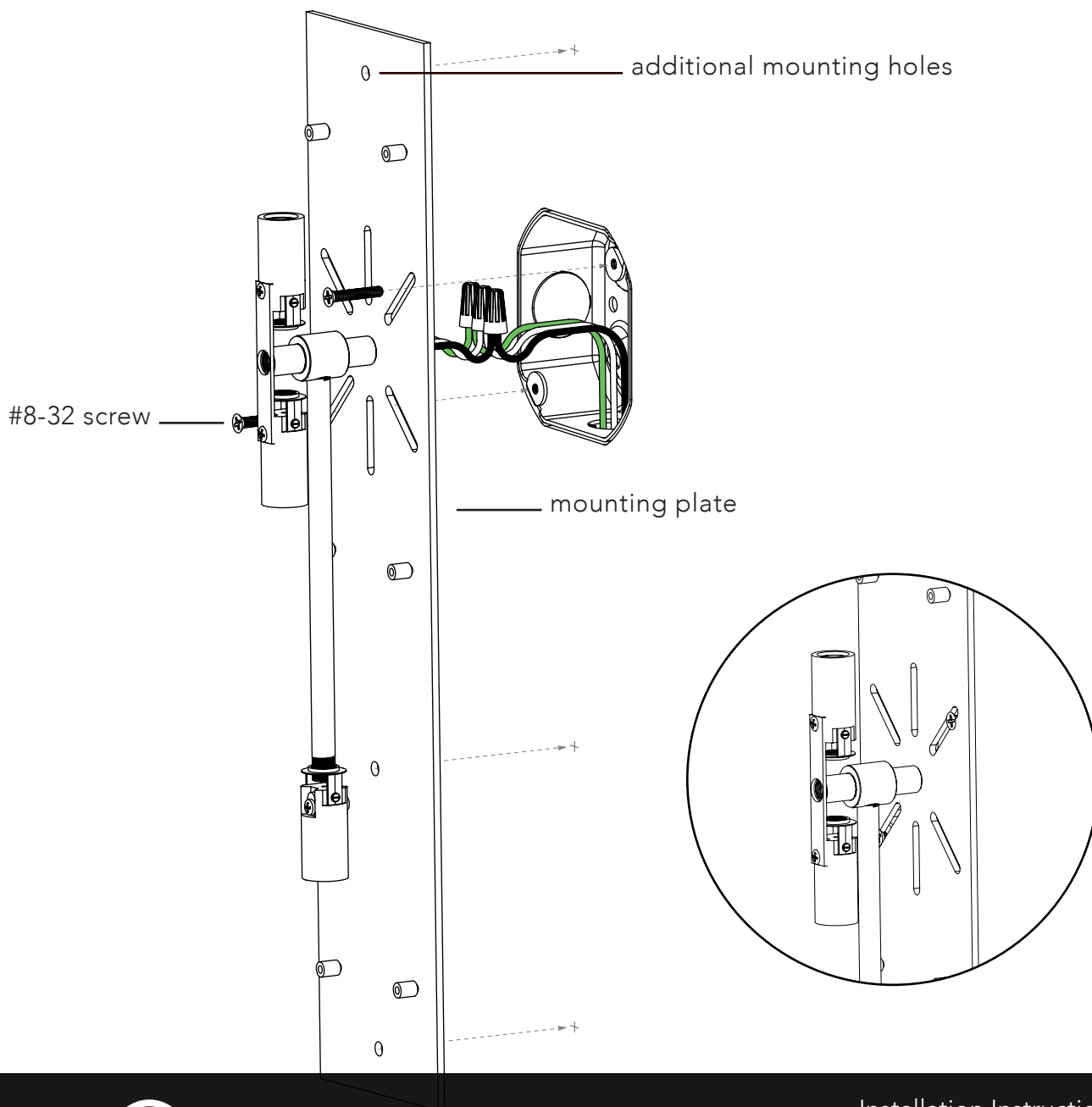
Queens 5 Tier Contents

1. Remove all parts from box onto a clean, soft surface and inspect for defects or damage.

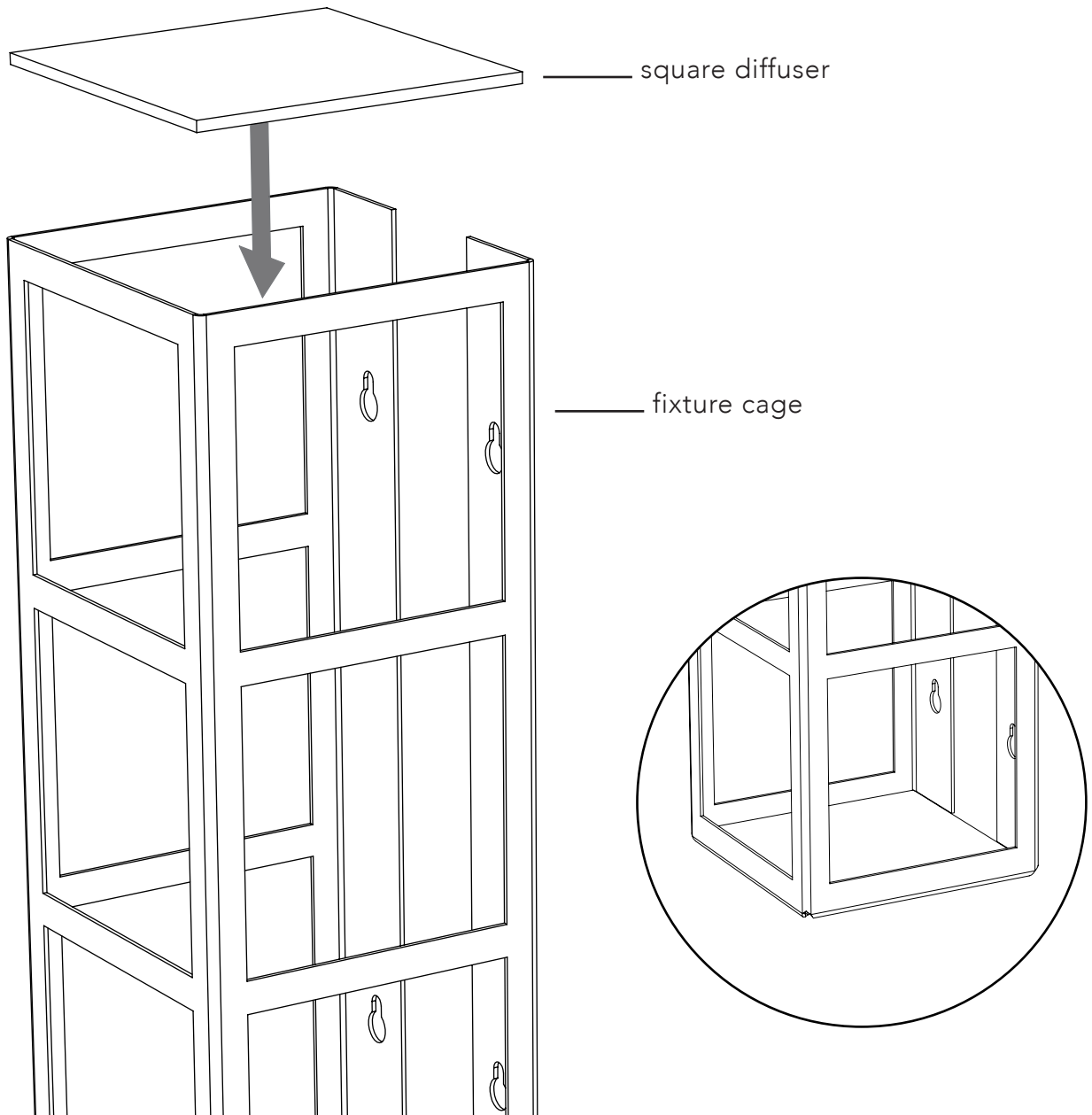


2. Fasten ground wires, then hot and neutral wires with wiring nuts provided. Tuck wires neatly back into j-box. Then attach mounting plate to j-box.

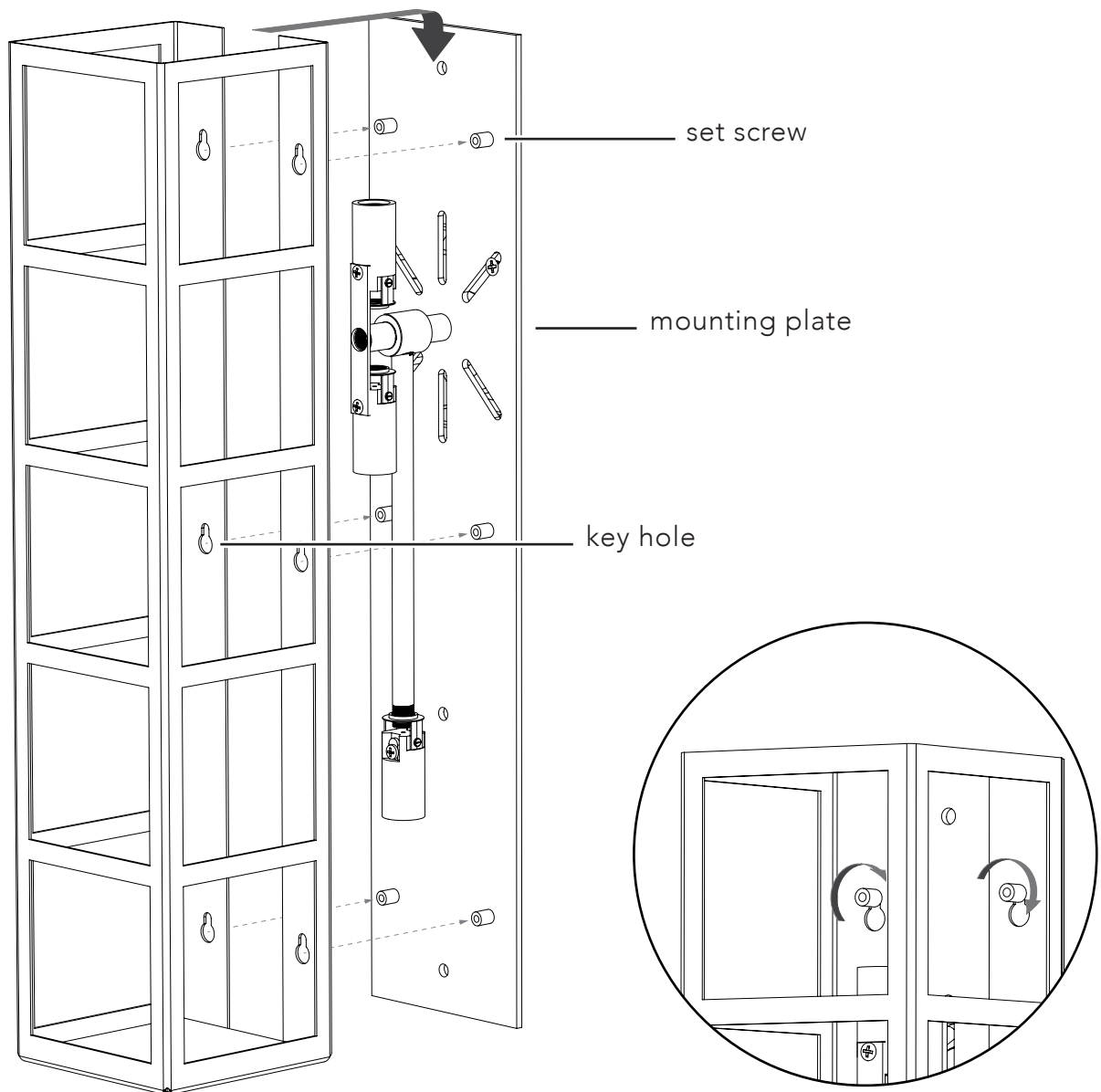
NOTE: To further secure the mounting plate, mark holes on wall and fasten using drywall anchors and screws.



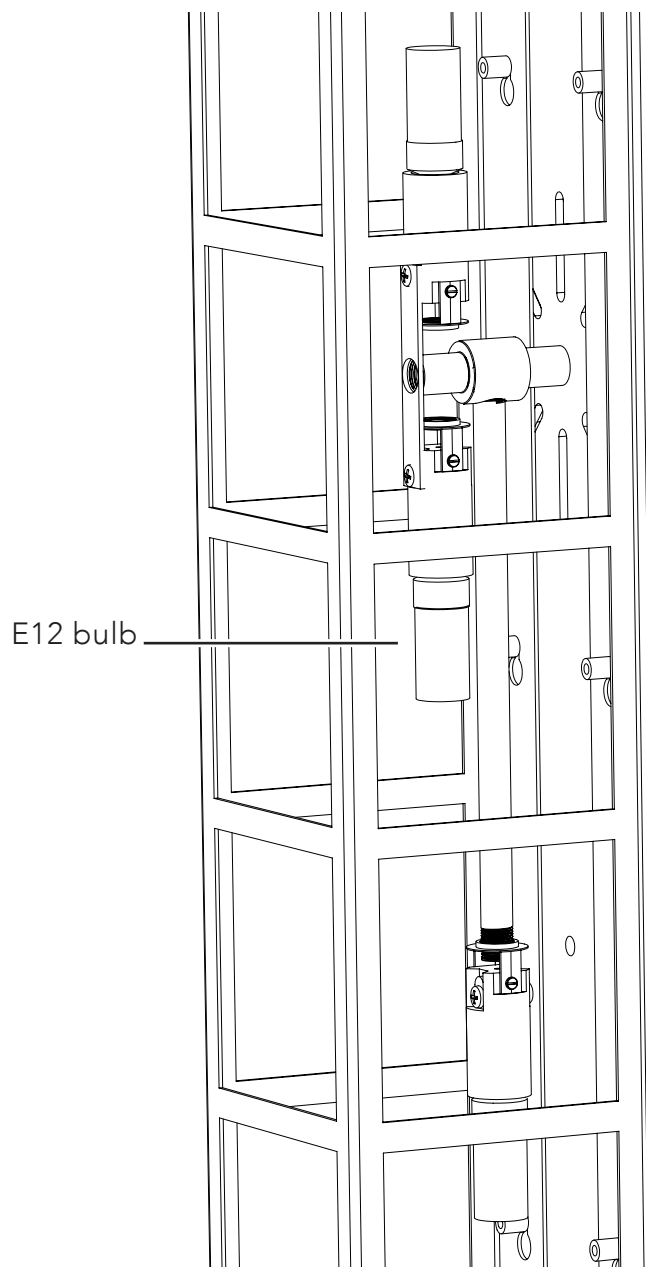
3. Place square diffuser in bottom of fixture cage.



4. Align key holes on back of fixture cage with set screw heads on mounting plate. Slide cage over screws and seat mounting plate. Fasten screws by hand.



5. Install bulbs.



6. Gently slide marble panels down into cage.

