

4

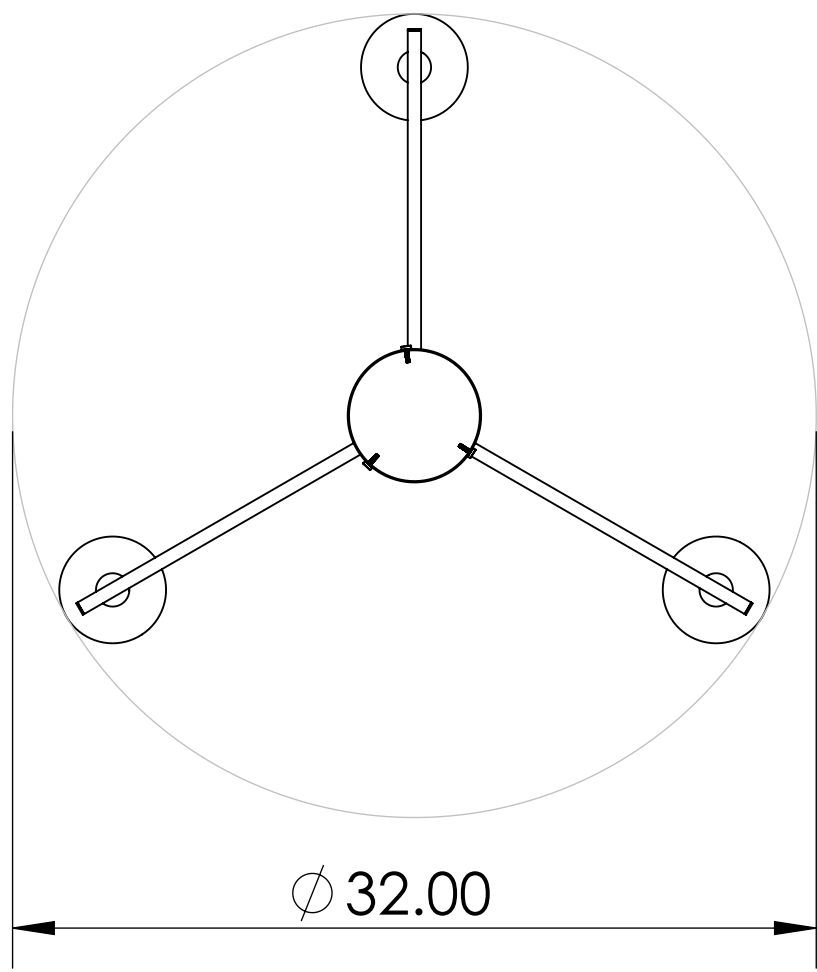
3

2

1

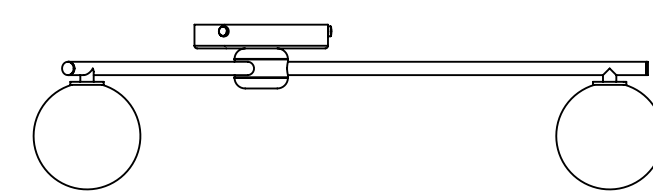
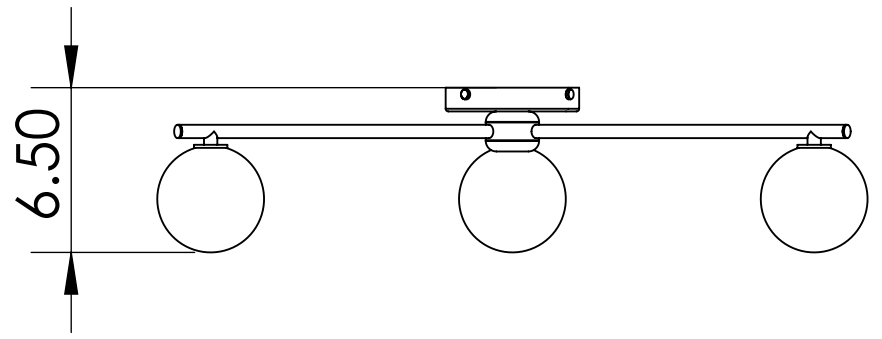
B

B



A

A



Blueprint Lighting

DIMENSIONS ARE IN INCHES

<u>WEIGHT</u> N/A	<u>MIN/MAX DIM.</u> N/A	<u>CANOPY</u> 5 IN	<u>FIXTURE</u> Segment 3 Flushmount
<u>LAMPING</u> (3x) E12 Socket - 60w per socket UL Listed			<u>FINISH</u> Tbd

PROPRIETARY AND CONFIDENTIAL. THE INFORMATION CONTAINED IN THIS DRAWING IS THE SOLE PROPERTY OF BLUEPRINT LIGHTING. ANY REPRODUCTION IN PART OR AS A WHOLE WITHOUT THE WRITTEN PERMISSION OF BLUEPRINT LIGHTING IS PROHIBITED.

4

3

2

1