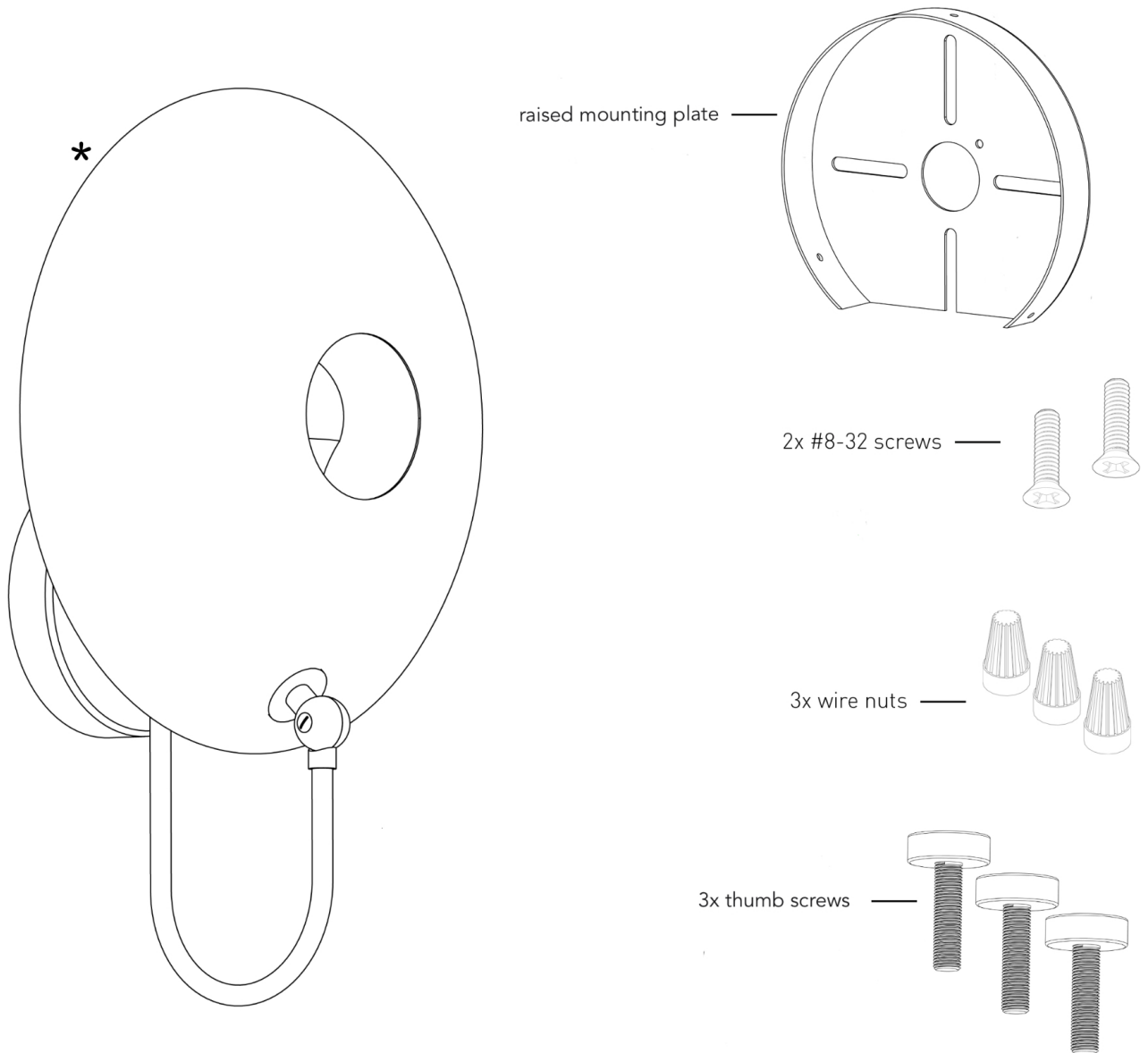
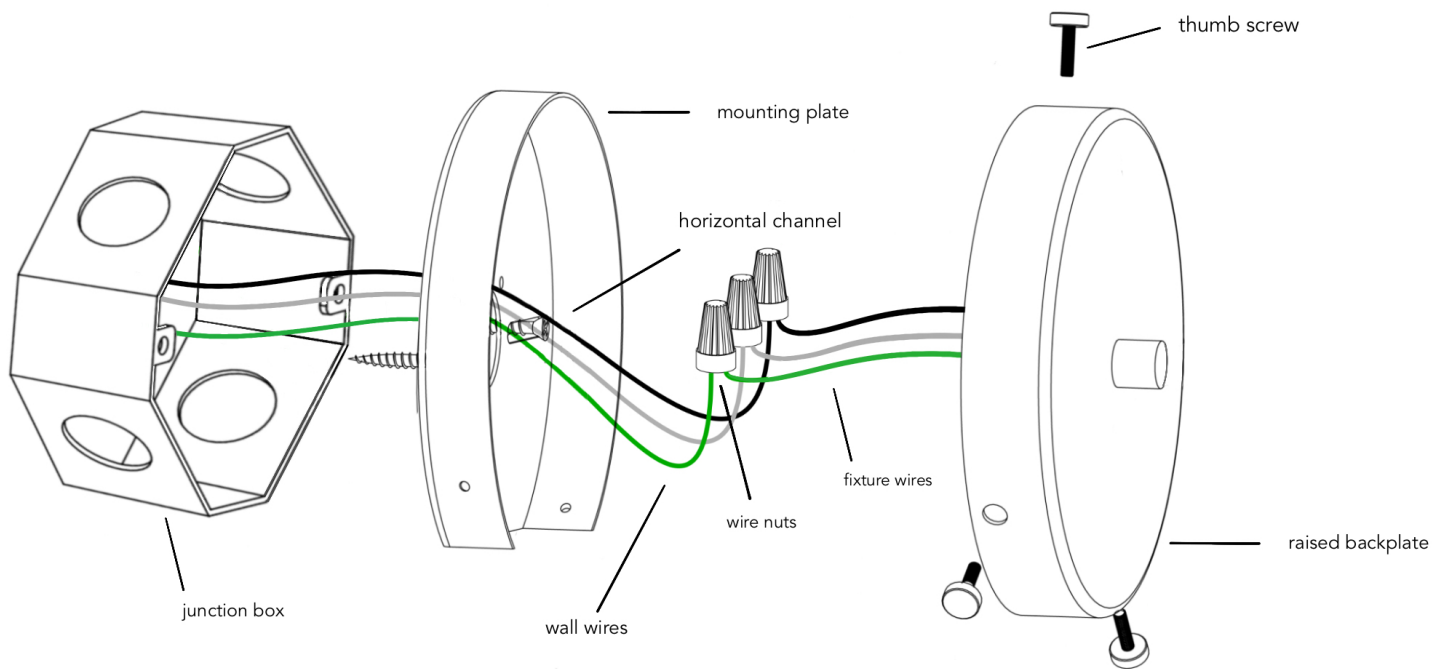


Standard Installation Instructions (Raised Backplate)



* Please note that the Mini POP fixture is used here as an example only. Our Standard Installation Instructions can be used for multiple fixtures that share the same backplates. For a full list of such fixtures, please refer to the Installation Instructions page on our website.

1. Mount the raised mounting plate directly to the junction box using the x2 of the provided #8-32 screws.
2. Hold the fixture backplate close to the wall and connect the fixture ground wire to the wall ground wire.
3. Connect the +/- fixture wires to the +/- wall wires.
4. Place the raised backplate onto the mounting plate.
6. Rotate the raised backplate until all three side holes line up with the corresponding holes on the mounting plate.
7. Use the 3 provided thumb screws to tighten the fixture in place.



Mini POP fixture not pictured for clearer view