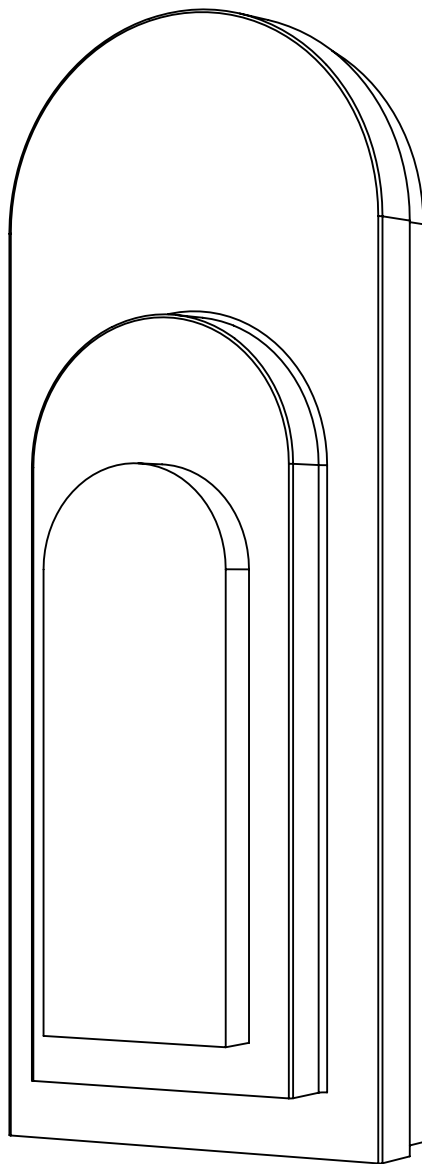
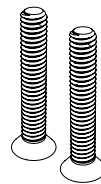


Staten Island Sconce Contents

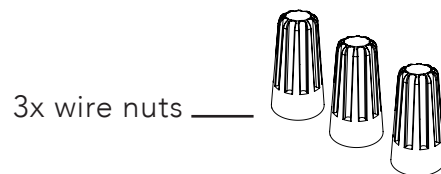
1. Remove all parts from box onto a clean, soft surface and inspect for defects or damage.



— sconce assembly



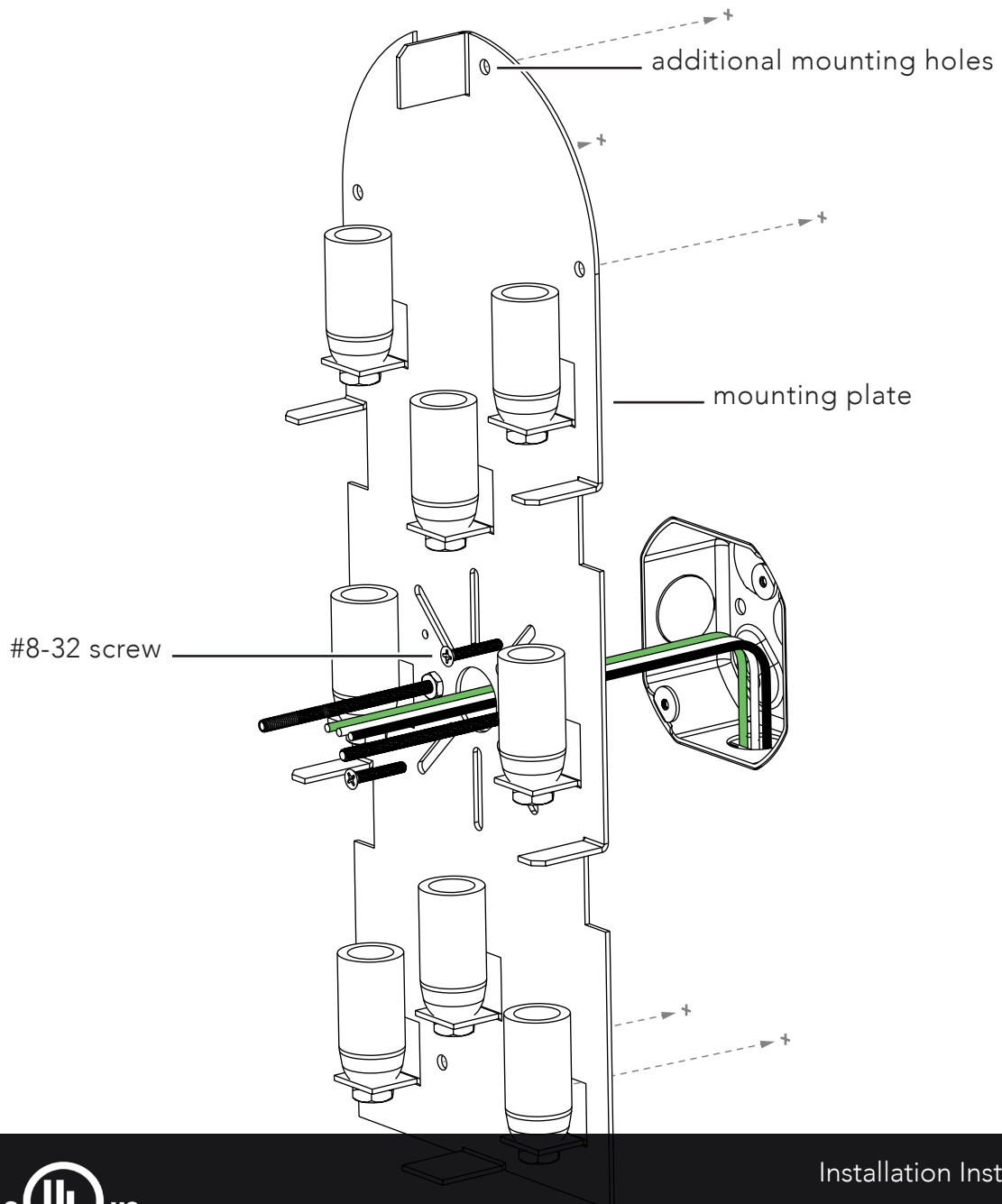
— 2x #8-32 screws



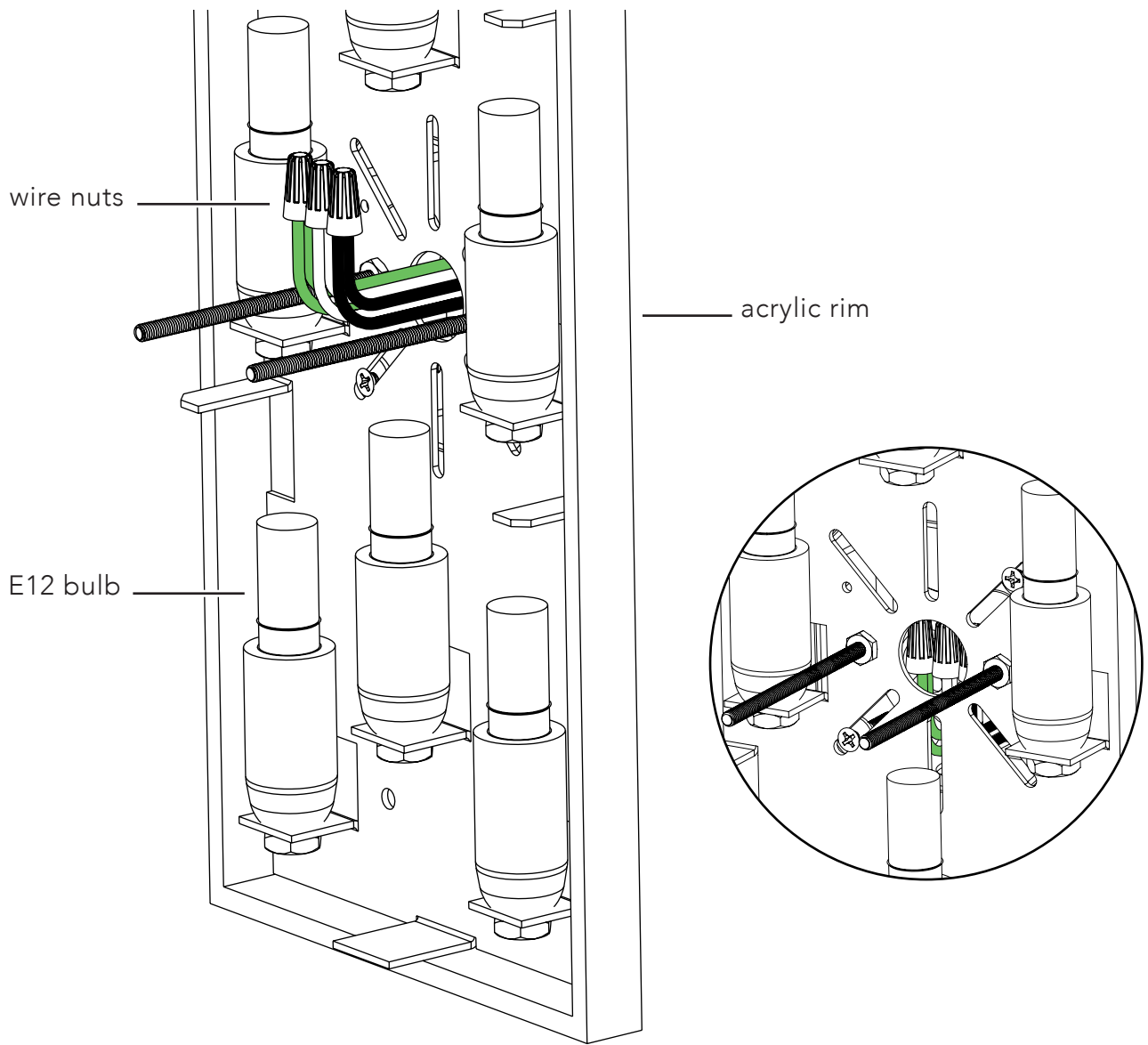
3x wire nuts —

2. Feed wired from wall through center hole of the mounting plate then fasten mounting plate to junction box with screws provided.

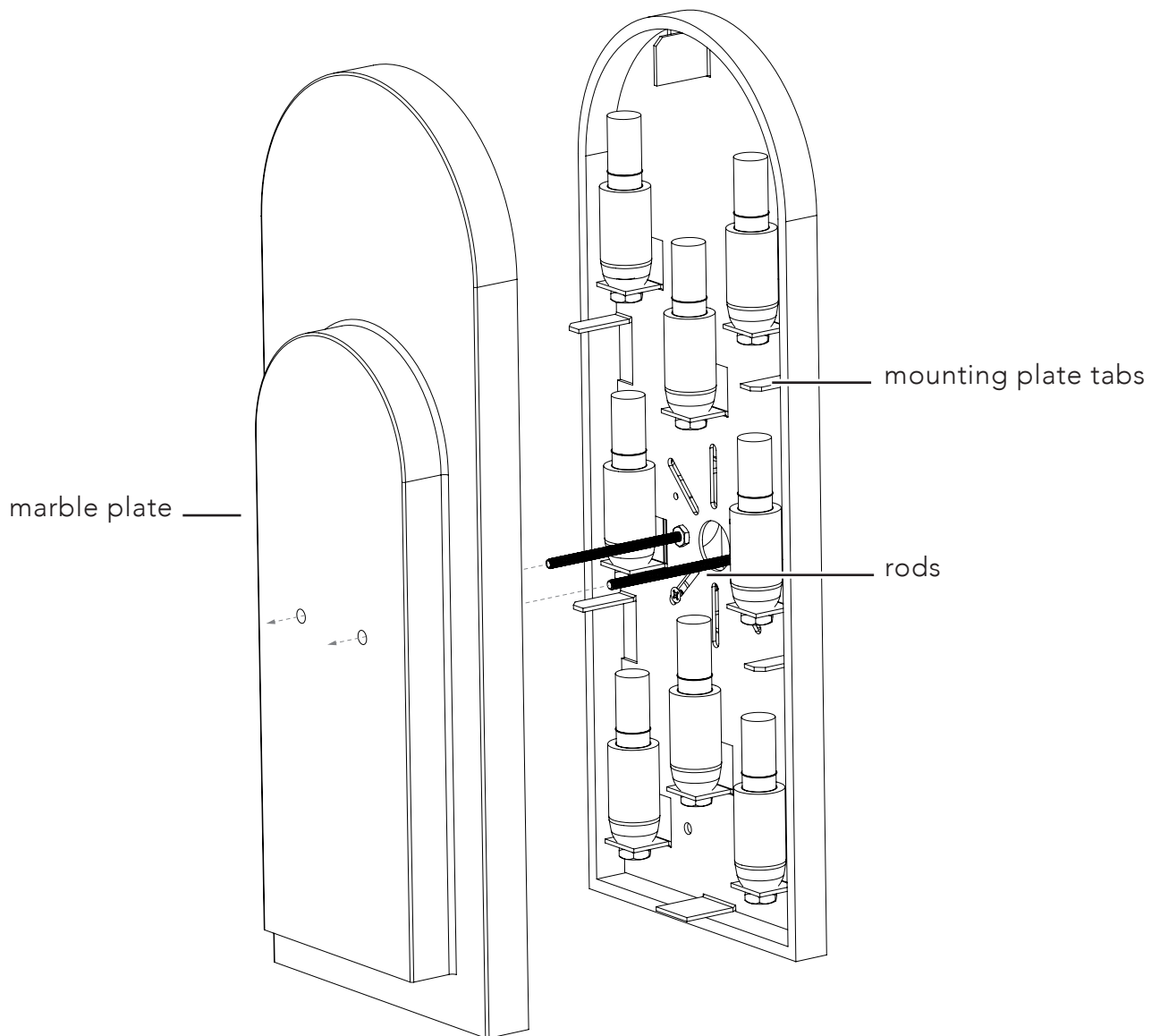
NOTE: To further secure the mounting plate, mark holes on wall and secure using drywall anchors and screws.



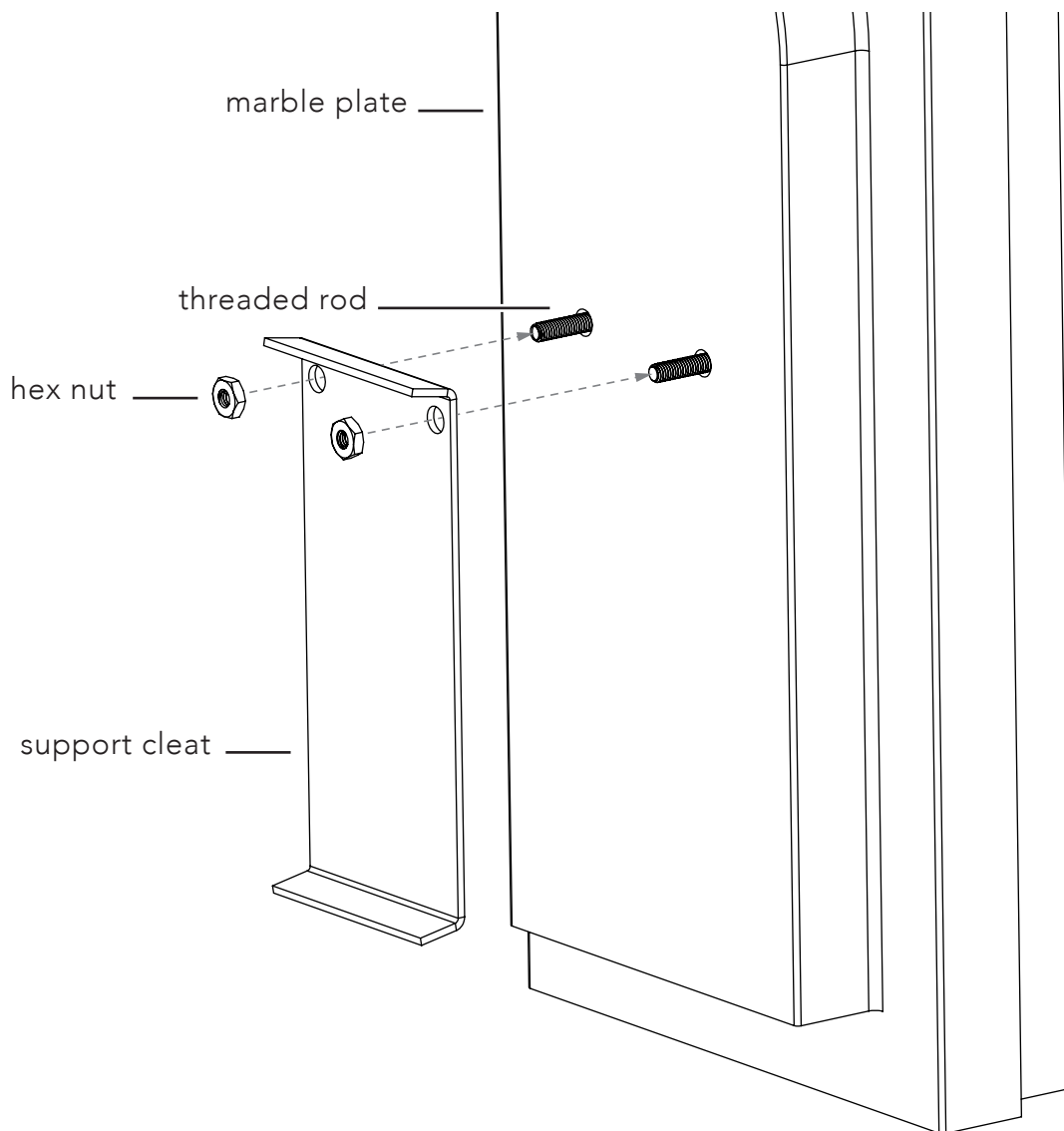
3. Fasten ground wires, then hot and neutral wires with wiring nuts provided. Tuck wires neatly back into j-box. Slide acrylic rim onto mounting plate.



4. Align mounting holes on marble face plate with horizontal support rods on mounting plate.
Slide marble plate onto rods until marble is seated on mounting plate tabs.



5. Fasten marble by tightening hex nut onto end of threaded rods until snug.



6. Install decorative brass cover by seating it onto the support cleat, then tighten set screw located on bottom edge.

